

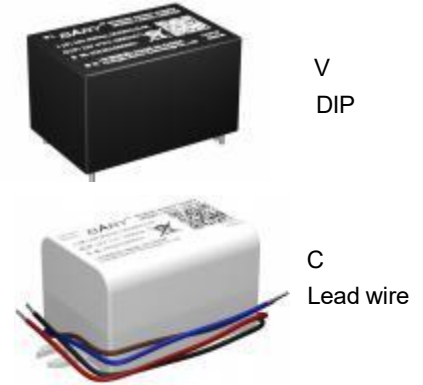


AM11-12W



Product characteristics

- ❖ Package Type: DIP, lead wire ;
- ❖ Temperature range: -40 °C to +85 °C;
- ❖ Conversion efficiency: 87% (max) ;
- ❖ Isolation withstand voltage: 3000VDC ;
- ❖ Input range: 85 ~ 264VAC, 120 ~ 370VDC ;
- ❖ Output protection: over-current and short-circuit protection;
- ❖ Application areas: industry, instrumentation, rail transit, smart street lights, Switch, smart home.



Selection Table

Product number	Input voltage range	Output			Efficiency (%) Min./Typ.	Maximum capacitive load load (μF)
		Power (W)	Voltage (VDC)	Current (mA) Max./Min		
AM11-12W05V	85 ~ 264VAC 120~370VDC	12	5	2400	86.2	1500
AM11-12W05C			5	2400	86.2	1500
AM11-12W12V			12	1000	87.3	1000
AM11-12W12C			12	1000	87.3	1000
AM11-12W15V			15	800	87.5	680
AM11-12W15C			15	800	87.5	680
AM11-12W24V			24	500	87	470
AM11-12W24C			24	500	87	470

* Note : This series cannot be used for RF communication equipment;

Input parameters

Item	Operating conditions	Minimum value .	Typical value .	Maximum value .	Unit
Input voltage range	AC input	85	--	264	Vac
	DC input	119	--	370	Vdc
Input frequency	AC input	47	--	63	Hz
Input Current	AC input (220VAC/50Hz)	--	106	--	mA
Boot time		--	800	1500	ms
Inrush current	AC input	--	10	--	A
Input filter type		C			
External fuse		1A/250VAC, slow break, must be connected.			

Output parameters

Item	Operating conditions		Minimum value	Typical value	Maximum value	Unit
Output voltage accuracy	--	--	--	± 3	± 5	%
Voltage Regulation	Fully loaded		--	± 1.5	--	%
Load Regulation	10%~100% load	AM21-12W-V	--	± 3	--	%
Ripple Noise	20MHz bandwidth, 100% load	AM21-12W-V	--	--	120	mV
Temperature Drift Coefficient	Fully loaded		--	±0.15	--	%/ °C
Short circuit protection			Sustainable, Self-recovery			
Overcurrent protection	AM11-5W		110~150% Io Self-recovery			
Minimum load			0	--	--	%

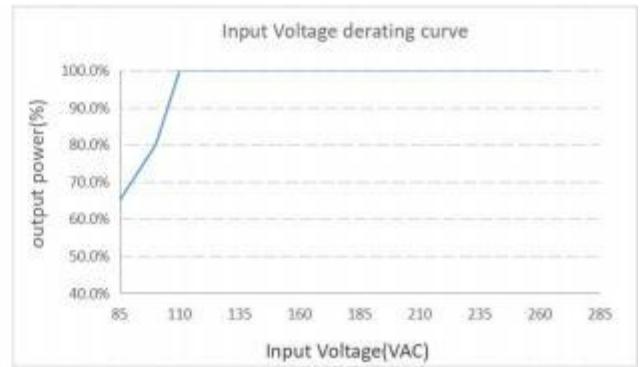
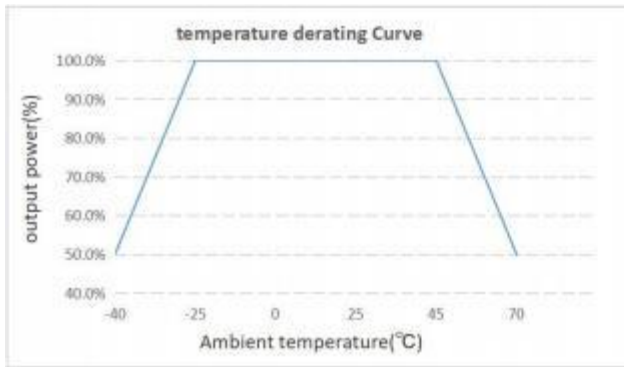
General Features

Item	Operating conditions	Minimum value	Typical value	Maximum value	Unit
Insulation Dinaya	enter - Output	3000	--	--	Vac
Working temperature		-40	25	+55	°C
Storage temperature		-40	25	+85	°C
Working humidity		--	--	95	%RH
Soldering temperature	Wave Soldering	260 ± 5 °C ; time : 5-10s			
	manual welding	360 ± 10 °C ; time : 3-5s			
Switching frequency		--	65	72	KHz
Mean time between failures		MIL-HDBK-217F@25 ° C > 100,000 h			

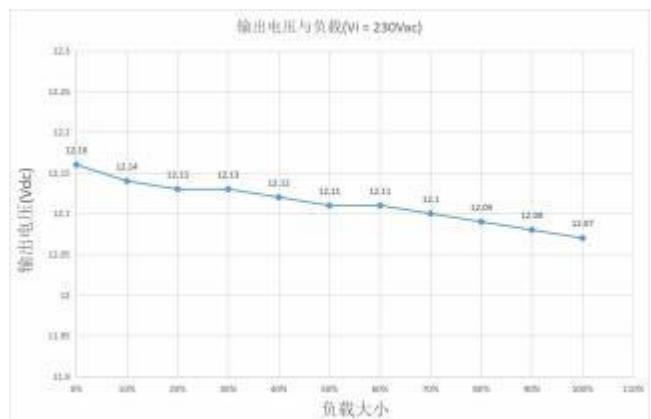
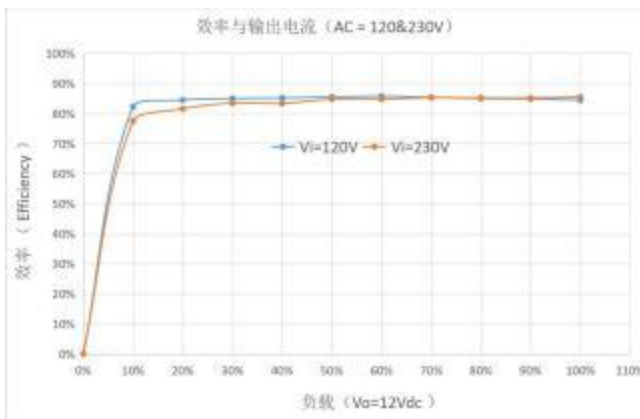
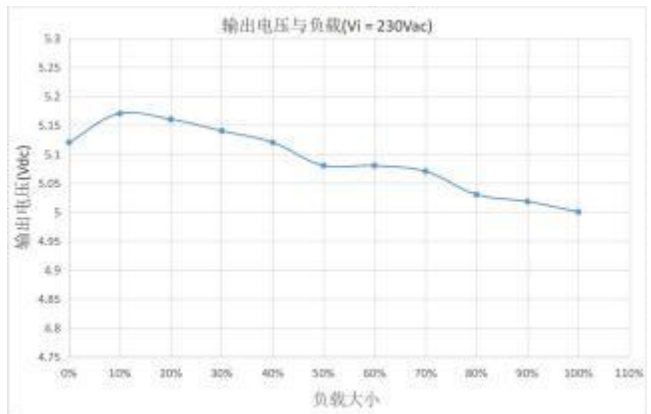
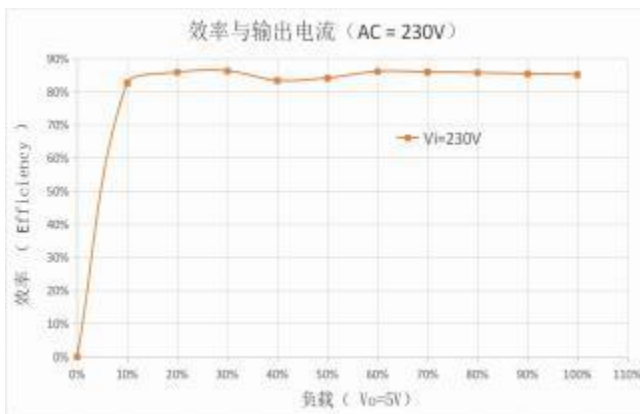
Mechanical specifications

Housing Material		Flame retardant and heat resistant
Dimensions	AM11-5W	38.2*25.2*23 mm
Product weight	AM11-5W-V	30g (Typ.)
	AM11-5W-C	25g (Typ.)
Cooling method		Natural cooling

Product characteristic curve

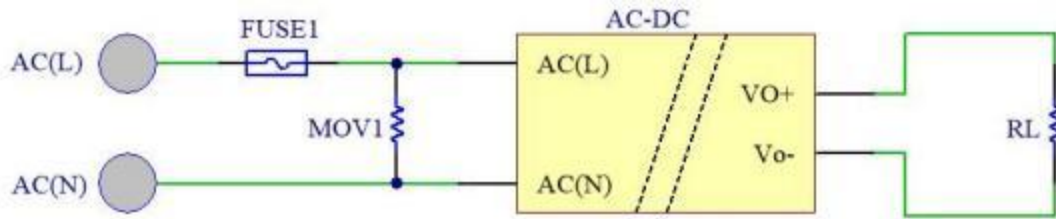


Conversion efficiency and load



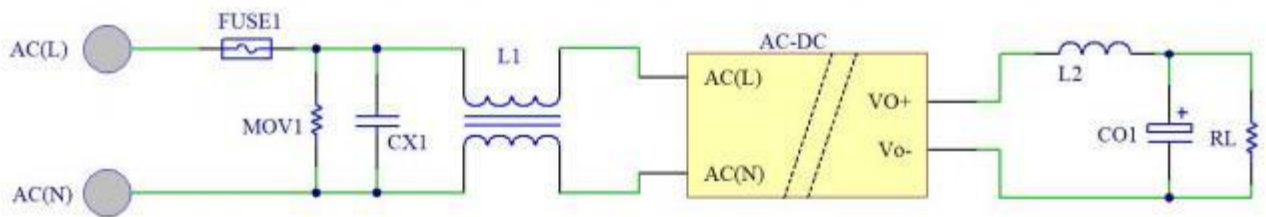
Reference Design

Typical application design



FUSE1	MOV1
1A/250VAC Slow-blow, required	10D 431K

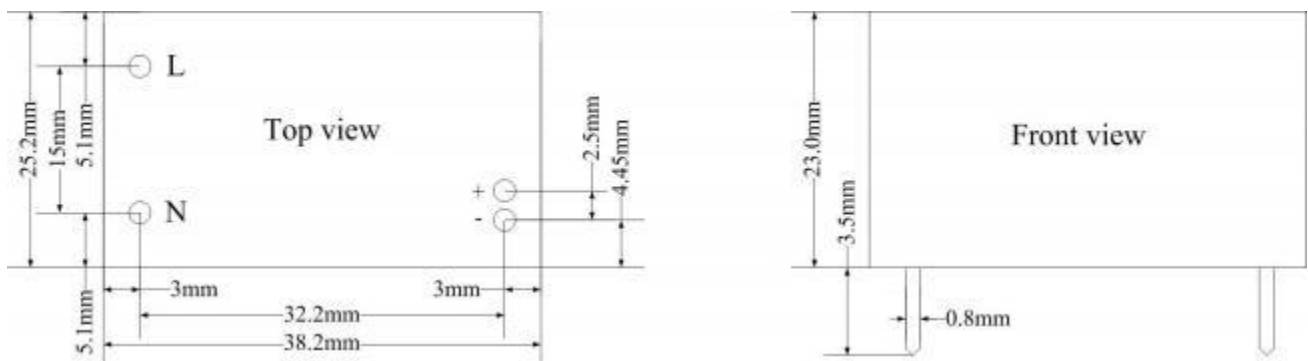
EMC Recommended circuit design

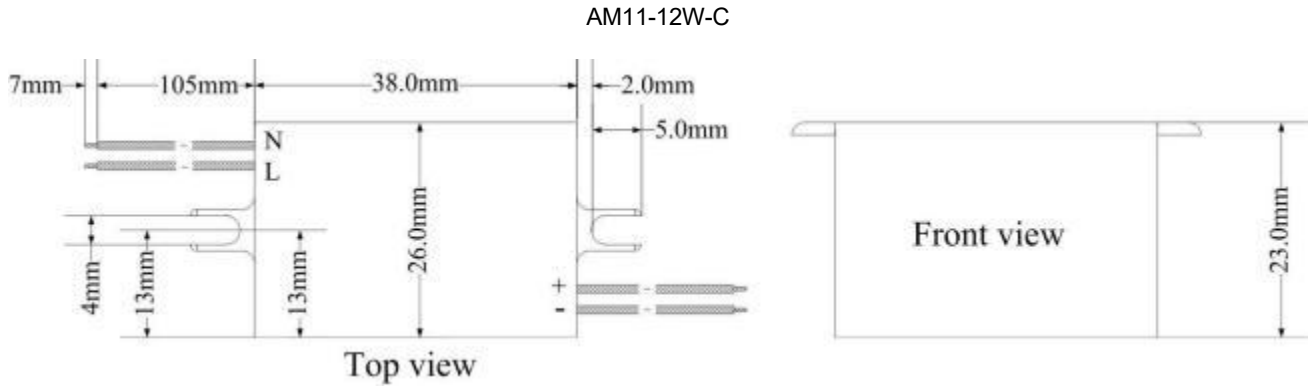


FUSE1	MOV1	CX1	L1	L2	CO1
1A/250V Slow disconnect, must connect	10D 431K	0.1uF/250V	UU9.8 - 10mH	0.47uH SLO0420HR47MTT	220uF

Product Dimensions

AM11-12W-V





Note:

Pin diameter tolerances: $\pm 0.1\text{mm}$

General tolerances: $\pm 0.5\text{mm}$

PIN	Note
L	AC_L AC Input_LiveWire
N	AC_N AC input_neutral line
+	+DC DC output positive
-	-DC DC output reference ground

About us

Technical support: support@cdebyte.com

Documents and RF Setting download link: www.cdebyte.com

Thank you for using Ebyte products! Please contact us with any questions or suggestions: lirong@cdebyte.com

Phone: 028-61543675

Web: www.cdebyte.com

Address: Building B5, Mould Industrial Park, 199# Xi-Qu Ave, West High-tech Zone, Chengdu, 611731, Sichuan, China