



# **E01C-ML01DP5 User Manual**

**SI24R1+ 2.4GHz 100mW SPI DPI Wireless Module**



## Contents

Disclaimer.....	2
Chapter1. Overview.....	3
1.1 Brief introduction.....	3
1.2 Features.....	3
1.3 Application.....	3
Chapter2. Specifications.....	4
2.1 Limit parameter.....	4
2.2 Operating parameter.....	4
Chapter3. Size and pin definition.....	5
Chapter4. Basic operation.....	6
4.1 Hardware design.....	6
4.2 Software editing.....	7
Chapter5. Circuit diagram.....	8
Chapter6. FAQ.....	8
6.1 Communication range is too short.....	8
6.2 Module is easy to damage.....	8
6.3 BER(Bit Error Rate) is high.....	9
Chapter7. Soldering guidance.....	9
Chapter8. Related models.....	9
Chapter9. Antenna Guide.....	9
9.1 Antenna recommendation.....	9
Chapter10. Bulk packaging.....	10
Revision history.....	11
About us.....	11

## **Disclaimer**

EBYTE reserves all rights to this document and the information contained herein. Products, names, logos and designs described herein may in whole or in part be subject to intellectual property rights. Reproduction, use, modification or disclosure to third parties of this document or any part thereof without the express permission of EBYTE is strictly prohibited.

The information contained herein is provided “as is” and EBYTE assumes no liability for the use of the information. No warranty, either express or implied, is given, including but not limited, with respect to the accuracy, correctness, reliability and fitness for a particular purpose of the information. This document may be revised by EBYTE at any time. For most recent documents, visit [www.ebyte.com](http://www.ebyte.com).

# Chapter1. Overview

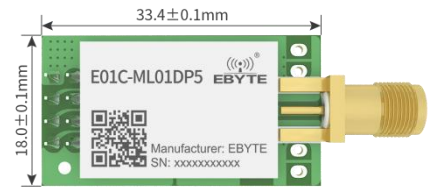
## 1.1 Brief introduction

E01C-ML01DP5 is a 2.4GHz direct plug-in wireless module with a maximum transmit power of 100mW based on the domestically-made SI24R1.

Built-in power amplifier (PA) and low noise amplifier (LNA) on the original basis, so that the maximum transmission power reaches 100mW, while the receiving sensitivity is further improved, and the overall communication stability is compared with no power amplifier and low noise amplifier. The products have been greatly improved.

The product has obtained the use of industrial-grade high-precision 16MHz crystal oscillator.

Since E01C-ML01DP5 is a pure radio frequency transceiver module, it needs to use MCU driver or use a dedicated SPI debugging tool.



## 1.2 Features

- The maximum transmission power is 100mW, and the software is multi-level adjustable;
- Under ideal conditions, the communication distance can reach 2.5km;
- Professional radio frequency shield, anti-interference and anti-static;
- Support the global license-free ISM 2.4GHz frequency band;
- Support 2Mbps, 1Mbps and 250kbps air rate;
- 125 communication channels to meet application requirements such as multipoint communication, grouping, and frequency hopping;
- Connect with MCU through SPI interface, rate 0~10Mbps;
- Support 2.0~3.6V power supply, power supply greater than 3.3V can guarantee the best performance;
- Reserve 4 fixing holes to facilitate the welding and fixing of the module;
- SMA-K external threaded inner hole for easy connection of coaxial cable or external antenna;

## 1.3 Application

- Smart home and industrial sensors, etc.;
- Security system, positioning system;
- Wireless remote control, UAV;
- Wireless game remote control;
- Healthcare products;
- Wireless voice, wireless headset;
- Automotive industry applications.

## Chapter2. Specifications

### 2.1 Limit parameter

Main parameter	Performance		Remarks
	Min.	Max.	
Power supply ( V )	0	3.6	Voltage over 3.6V will cause permanent damage to module
Blocking power ( dBm )	-	10	Chances of burn is slim when modules are used in short distance
Operating temperature ( °C )	-40	85	Industrial grade

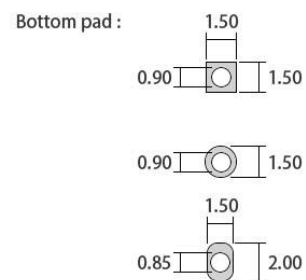
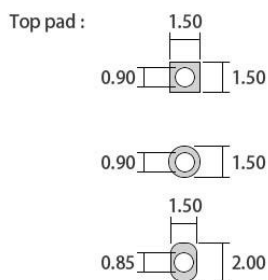
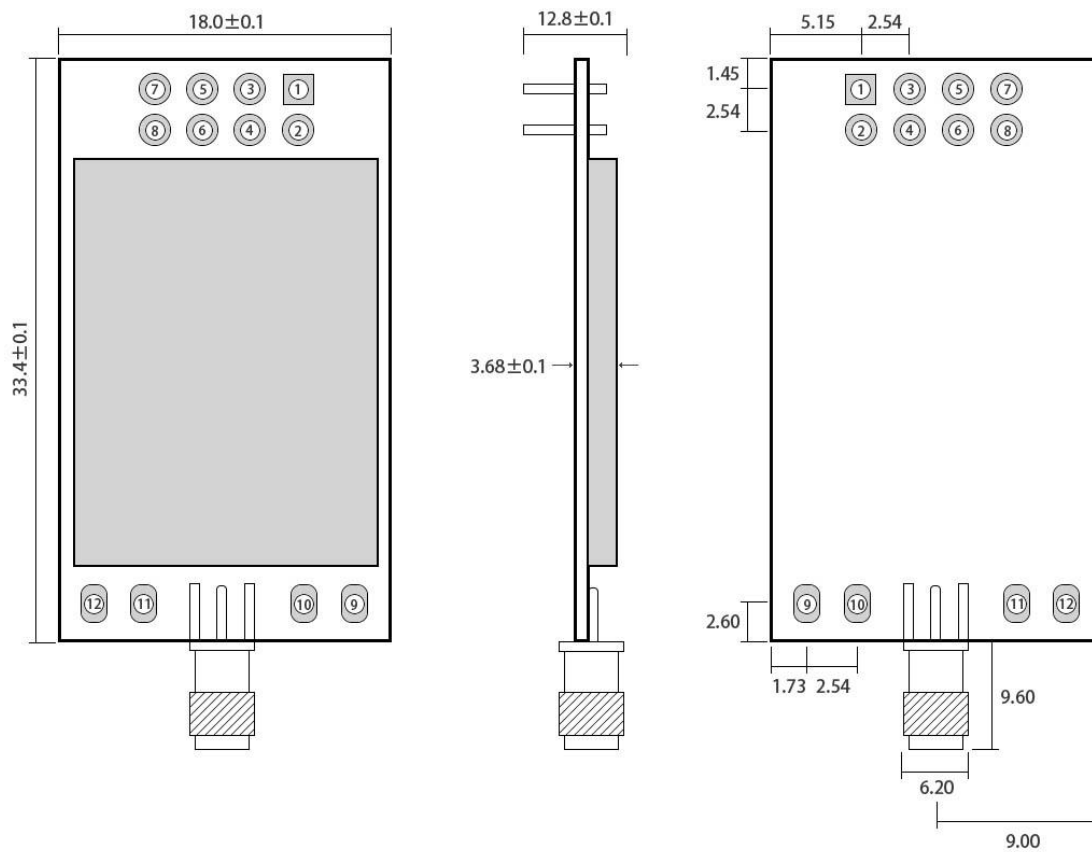
### 2.2 Operating parameter

Main parameter	Performance			Remarks
	Min.	Typ.	Max.	
Operating voltage ( V )	2.0	3.3	3.6	≥3.3V ensures output power
Communication level ( V )		3.3		For 5V TTL, it may be at risk of burning down
Operating temperature ( °C )	-40	-	85	Industrial design
Operating frequency ( GHz )	2.4	-	2.525	Support ISM band
Power consumption	Tx current	125		Instantaneous power consumption
	Rx current	27.5		
	Sleep current(μA)	2		Software is shut down
Max Tx power ( dBm )	20	20.5	21	
Receiving sensitivity(dBm)	-96.5	-96	-97.5	Air data rate is 250kbps
Air data rate ( bps )	250k	-	2M	Controlled via user's programming

Main parameter	Description	Remark
Reference distance	2500m	Test condition: clear and open area, antenna gain: 5dBi, antenna height: 2.5m, air data rate: 250kbps
FIFO	32Byte	Max length transmitted each time
Crystal frequency	16MHz	
Modulation	GFSK	
Package	DPI	
Connector	2.54mm Pin	

	Header	
Communication interface	SPI	0-10Mbps
Size	18 * 33.4mm	With out SMA
Antenna	SMA-K	The equivalent impedance is about 50Ω

### Chapter3. Size and pin definition



Pad quantity : 12  
Unit: mm

Pin No.	Pin item	Pin direction	Pin application
1	GND		Ground wire, connected to the power reference ground
2	VCC		The power supply must be between 2.0~3.6V

3	CE	Input	Module control pin
4	CSN	Inout	Module chip select pin, used to start a SPI communication
5	SCK	Input	Module SPI bus clock
6	MOSI	Input	Module SPI data input pin
7	MISO	Output	Module SPI data output pin
8	IRQ	Output	Module interrupt signal output, active low

## Chapter4. Basic operation

### 4.1 Hardware design

- It is recommended to use a DC stabilized power supply. The power supply ripple factor is as small as possible, and the module needs to be reliably grounded;
- Please pay attention to the correct connection of the positive and negative poles of the power supply. Reverse connection may cause permanent damage to the module;
- Please check the power supply to ensure it is within the recommended voltage otherwise when it exceeds the maximum value the module will be permanently damaged;
- Please check the stability of the power supply, the voltage can not be fluctuated frequently;
- When designing the power supply circuit for the module, it is often recommended to reserve more than 30% of the margin, so the whole machine is beneficial for long-term stable operation;
- The module should be as far away as possible from the power supply, transformers, high-frequency wiring and other parts with large electromagnetic interference;
- High-frequency digital routing, high-frequency analog routing, and power routing must be avoided under the module. If it is necessary to pass through the module, assume that the module is soldered to the Top Layer, and the copper is spread on the Top Layer of the module contact part(well grounded), it must be close to the digital part of the module and routed in the Bottom Layer;
- Assuming the module is soldered or placed over the Top Layer, it is wrong to randomly route over the Bottom Layer or other layers, which will affect the module's spurs and receiving sensitivity to varying degrees;
- It is assumed that there are devices with large electromagnetic interference around the module that will greatly affect the performance. It is recommended to keep them away from the module according to the strength of the interference. If necessary, appropriate isolation and shielding can be done;
- Assume that there are traces with large electromagnetic interference (high-frequency digital, high-frequency analog, power traces) around the module that will greatly affect the performance of the module. It is recommended to stay away from the module according to the strength of the interference. If necessary, appropriate isolation and shielding can be done.
- If the communication line uses a 5V level, a 1k-5.1k resistor must be connected in series (not recommended, there is still a risk of damage);
- Try to stay away from some physical layers such as TTL protocol at 2.4GHz , for example: USB3.0;
- The mounting structure of antenna has a great influence on the performance of the module. It is necessary to ensure that the antenna is exposed, preferably vertically upward. When the module is mounted inside the case, use a good antenna extension cable to extend the antenna to the outside;
- The antenna must not be installed inside the metal case, which will cause the transmission distance to be greatly

weakened.

## 4.2 Software editing

- The drive mode of this module SI24R1+PA+LNA is completely equivalent to SI24R1, and users can operate according to the SI24R1 chip manual (see SI24R1 manual for details);

Power bin:

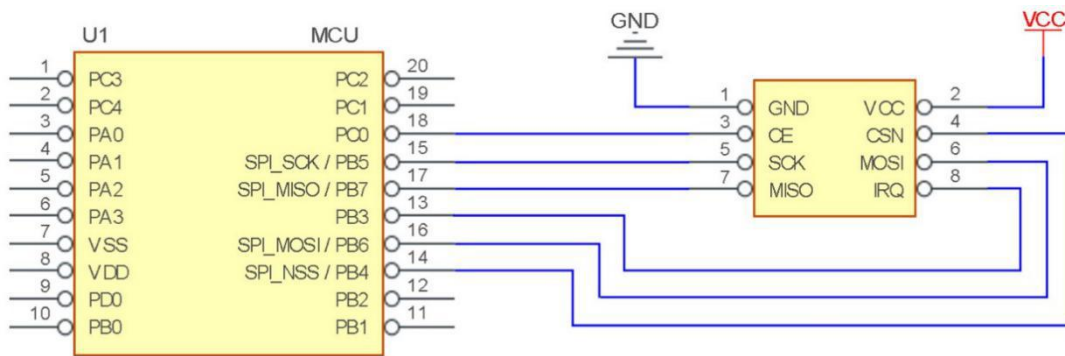
SI24R1 register setting table:

Address(Hex)	Mnemonic	Bit	Reset Value	Description
06	RF_SETUP			RF configuration
	RF_PWR	2:0	110	Set TX Power
				111:7dBm      110:4dBm
				101:3dBm      100:1dBm
				011:0dBm      010:-4dBm
				001:-6dBm      000:-12dBm

- 011: Pre-stage 0dBm, Output 21dBm;
- 010: Pre-stage -4dBm, Output 20.5dBm;
- 011: Pre-stage -6dBm, Output 19.5dBm;
- 000: Pre-stage -12dBm, Output 15dBm;
- IRQ is an interrupt pin, which can be used to wake up the microcontroller and achieve fast response; it can be disconnected, and the interrupt status can be obtained by SPI query (not recommended, not conducive to overall power consumption, and low efficiency);
- CE can be connected to the high level for a long time, but the module must be set to POWER DOWN power-down mode when writing the register. It is recommended that CE be controlled by the MCU pin;
- The CE pin is connected to the LNA enable pin. When CE=1, the LNA is turned on, and when CE=0, the LNA is turned off. This operation is completely consistent with the transceiver mode of nRF24L01; that is, the user does not need to care about LNA operation at all;
- If the user needs to answer automatically, the CE pin must be kept high during the transmission process, and the high level time cannot be longer than 10us as mentioned in the SI24R1 manual. The correct operation is: CE=1 to trigger the transmission. After knowing that the transmission is completed, CE=0, instead of CE=0 after 10us. The reason is: After SI24R1 is sent, it will immediately switch to receiving mode. At this time, if CE= 0, the LNA has been turned off, which is not conducive to receiving sensitivity.



## Chapter5. Circuit diagram



## Chapter6. FAQ

### 6.1 Communication range is too short

- When there is a straight line communication obstacle, the communication distance will be attenuated accordingly;
- Temperature, humidity, and co-frequency interference will increase the communication packet loss rate;
- The ground absorbs and reflects radio waves, and the test results near the ground are poor;
- Sea water has a strong ability to absorb radio waves, so the seaside test results are poor;
- If there is a metal object near the antenna or placed in a metal shell, the signal attenuation will be very serious;
- The power register setting is wrong, the air speed setting is too high (the higher the air speed, the closer the distance);
- The low voltage of the power supply at room temperature is lower than the recommended value, the lower the voltage, the lower the power output;
- The poor matching degree of the antenna and the module or the quality of the antenna itself.

### 6.2 Module is easy to damage

- Please check the power supply to ensure that it is within the recommended power supply voltage. If it exceeds the maximum value, it will cause permanent damage to the module;
- Please check the stability of the power supply, the voltage should not fluctuate greatly and frequently;
- Please ensure anti-static operation during installation and use, and high-frequency components are electrostatically sensitive;
- Please ensure that the humidity during installation and use should not be too high, and some components are humidity sensitive devices;
- If there is no special requirement, it is not recommended to use at too high or too low temperature.

### 6.3 BER(Bit Error Rate) is high

- There is co-frequency signal interference nearby, stay away from the interference source or modify the frequency and channel to avoid interference;
- The clock waveform on SPI is not standard, check whether there is interference on the SPI line, and the SPI bus line should not be too long;
- Unsatisfactory power supply may also cause garbled codes. Ensure the reliability of the power supply;
- Poor or too long extension cords and feeders will also cause high bit error rates.

## Chapter7. Soldering guidance

This product is a direct plug-in module. When welding the module, the welder must work in accordance with the norms for discharging static electricity. This product is an electrostatic sensitive product. If the module is not welded according to the rules, the module may be permanently damaged.

## Chapter8. Related models

Model	IC	Frequency	Power	Distance	Package	Antenna
		Hz	dBm	m		
<a href="#">E01-ML01S</a>	nRF24L01+	2.4G	0	100	SMD	PCB
<a href="#">E01-ML01D</a>	nRF24L01+	2.4G	0	100	DPI	PCB
<a href="#">E01-ML01IPX</a>	nRF24L01+	2.4G	0	200	SMD	IPEX
<a href="#">E01-2G4M13S</a>	nRF24L01+	2.4G	13	1200	SMD	PCB
<a href="#">E01-ML01SP2</a>	nRF24L01+	2.4G	20	1800	SMD	PCB/IPEX
<a href="#">E01-ML01SP4</a>	nRF24L01+	2.4G	20	2000	SMD	IPEX
<a href="#">E01-ML01DP4</a>	nRF24L01+	2.4G	20	1800	DPI	PCB
<a href="#">E01-ML01DP5</a>	nRF24L01+	2.4G	20	2500	DPI	SMA-K
<a href="#">E01-2G4M27D</a>	nRF24L01+	2.4G	27	5000	DPI	SMA-K

All wireless modules of the E01 series can communicate with each other

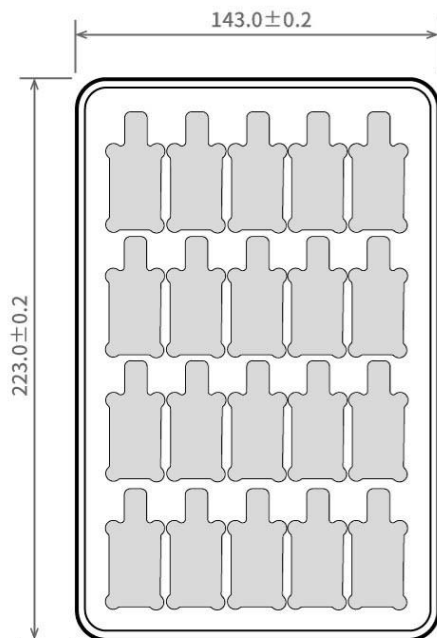
## Chapter9. Antenna Guide

### 9.1 Antenna recommendation

Antennas are an important role in the communication process, and often inferior antennas will have a great impact on the communication system. Therefore, our company recommends some antennas as supporting our company's wireless modules with excellent performance and reasonable prices.

Products Model	Type	Frequency	Gain	Size	Feeder	Interface	Feature
		Hz	dBi	mm	cm		
<a href="#">TX2400-NP-5010</a>	Flexible antenna	2.4G	2.0	10x50	-	IPEX	Flexible FPC soft antenna
<a href="#">TX2400-JZ-3</a>	Glue stick antenna	2.4G	2.0	30	-	SMA-J	Ultra-short straight, omnidirectional antenna
<a href="#">TX2400-JZ-5</a>	Glue stick antenna	2.4G	2.0	50	-	SMA-J	Ultra-short straight, omnidirectional antenna
<a href="#">TX2400-JW-5</a>	Glue stick antenna	2.4G	2.0	50	-	SMA-J	Fixed bending, omnidirectional antenna
<a href="#">TX2400-JK-11</a>	Glue stick antenna	2.4G	2.5	110	-	SMA-J	Bendable glue stick, omnidirectional antenna
<a href="#">TX2400-JK-20</a>	Glue stick antenna	2.4G	3.0	200	-	SMA-J	Bendable glue stick, omnidirectional antenna
<a href="#">TX2400-XPL-150</a>	Suction cup antenna	2.4G	3.5	150	150	SMA-J	Small suction cup antenna, cost-effective

## Chapter10. Bulk packaging



Unit: mm  
 Each Layer: 20 pcs  
 Each Package: 5 layers

## Revision history

Version	Date	Description	Issued by
1.00	2020-11-27	initial version	Linson

## About us

Technical support: [support@cdebyte.com](mailto:support@cdebyte.com)

Documents and RF Setting download link: [www.ebyte.com](http://www.ebyte.com)

Thank you for using Ebyte products! Please contact us with any questions or suggestions: [info@cdebyte.com](mailto:info@cdebyte.com)

---

Official hotline:028-61399028

Web: [www.ebyte.com](http://www.ebyte.com)

Address: B5 Mould Park, 199# Xiqu Ave, High-tech District, Sichuan, China



**Chengdu Ebyte Electronic Technology Co.,Ltd.**