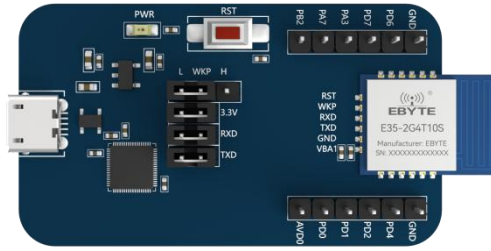




E35-2G4T10S-TB User Manual

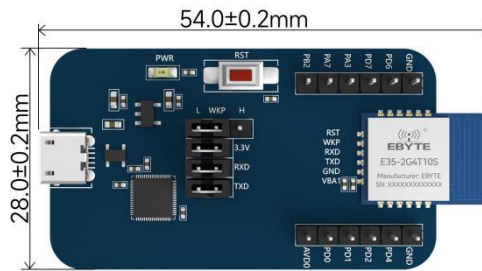
1 Product Introduction



E35-2G4T10S

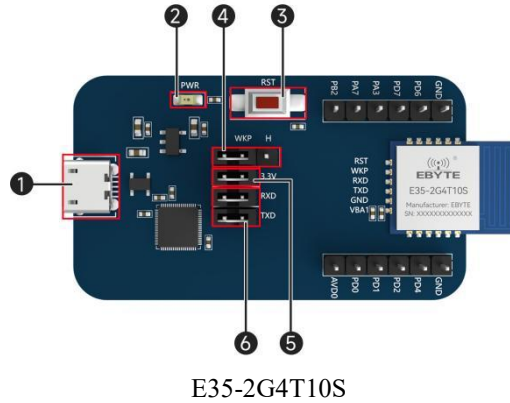
1. Used for testing and developing Chengdu E35-2G4T10S wireless module, E35-2G4T10S-TB has pre-welded E35-2G4T10S module, please refer to module manual for details.
2. E35-2G4T10S-TB size: 54.0*28.0mm.
3. Users can access external power supply and serial port by themselves.
4. Stable work, easy to develop.
5. 2.54mm pitch row pin design, easy to develop and use.

2 Product size



E35-2G4T10S

3 Interface definition



Serial number description:

No	Function	Usage
1	Micro USB port	Support DC 5V power supply
2	Power indicator	Normal power supply if always on
3	Reset button	Press to reset module
4	Wake-up jumper	Pull pin high to enter hibernation, pull low to wake up the module.
5	Power Jumper	Can be connected to external power supply
6	Serial Jumper	TXD, serial port transmit pin jumper

Please refer to E35-2G4T10S module manual for specific functions.

4 Technical Support

During the development process, please actively contact our technical support, we only support our modules, not including the basic usage of microcontroller issues.

About us

Hot line: 4000-330-990

Technical support: support@cdebyte.com

Thank you for using Ebyte products! Please contact us with any questions or suggestions: info@cdebyte.com

Web: <https://www.cdebyte.com>

Address: B5 Mould Park, 199# Xiqu Ave, High-tech District, Sichuan, China

