

FR101S THRU FR107S

FAST RECOVERY RECTIFIER



康比電子
HORNBY ELECTRONIC

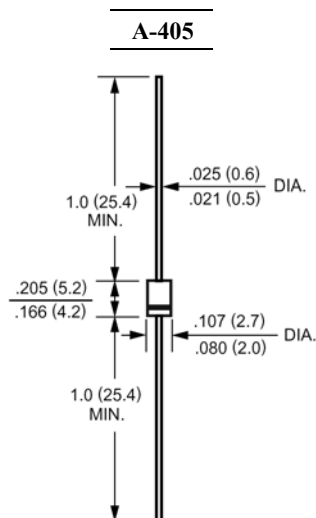
REVERSE VOLTAGE: 50 to 1000 VOLTS
FORWARD CURRENT: 1.0 AMPERE

FEATURES

- High current capability
- 1.0 ampere operation at $T_A=55^\circ\text{C}$ with no thermal runaway.
- Fast switching for high efficiency
- Exceeds environmental standards of MIL-S-19500/228
- Low leakage.

MECHANICAL DATA

Case: Molded plastic, A-405
Epoxy: UL 94V-O rate flame retardant
Lead: Axial leads, solderable per MIL-STD-202, method 208 guaranteed
Polarity: Color band denotes cathode end
Mounting position: Any
Weight: 0.008ounce, 0.22gram



Dimensions in inches and (millimeters)

Maximum Ratings and Electrical Characteristics

Ratings at 25°C ambient temperature unless otherwise specified.

Single phase, half wave, 60Hz , resistive or inductive load.

For capacitive load, derate current by 20%.

	Symbols	FR101S	FR102S	FR103S	FR104S	FR105S	FR106S	FR107S	Units
Maximum Recurrent Peak Reverse Voltage	V_{RRM}	50	100	200	400	600	800	1000	Volts
Maximum RMS Voltage	V_{RMS}	35	70	140	280	420	560	700	Volts
Maximum DC Blocking Voltage	V_{DC}	50	100	200	400	600	800	1000	Volts
Maximum Average Forward Rectified Current .375"(9.5mm) Lead Length at $T_A=55^\circ\text{C}$	$I_{(AV)}$	1.0							Amp
Peak Forward Surge Current, 8.3ms single half-sine-wave superimposed on rated load (JEDEC method)	I_{FSM}	30							Amp
Maximum Forward Voltage at 1.0A DC and 25°C	V_F	1.3							Volts
Maximum Reverse Current at $T_A=25^\circ\text{C}$ at Rated DC Blocking Voltage $T_A=100^\circ\text{C}$	I_R					5.0			uAmp
Typical Junction Capacitance (Note 1)	C_J					12			pF
Typical Thermal Resistance (Note 2)	$R_{\theta JA}$					67			$^\circ\text{C/W}$
Maximum Reverse Recovery Time (Note 3)	T_{RR}	150				250	500		nS
Operating and Storage Temperature Range	T_J, T_{stg}	-55 to +150							$^\circ\text{C}$

NOTES:

1- Measured at 1 MHz and applied reverse voltage of 4.0 VDC.

2- Thermal Resistance From Junction to Ambient 0.375"(9.5mm) lead length P.C.B. Mounted.

3- Reverse Recovery Test Conditions: $I_F=.5A$, $I_R=1A$, $I_{RR}=.25A$.

FR101S THRU FR107S FAST RECOVERY RECTIFIER

RATINGS AND CHARACTERISTIC CURVES

FIG.1- MAXIMUM TYPICAL FORWARD CURRENT DERATING CURVE

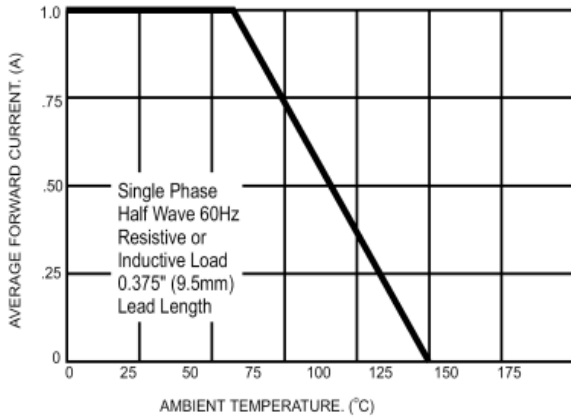


FIG.2- MAXIMUM NON-REPETITIVE FORWARD SURGE CURRENT

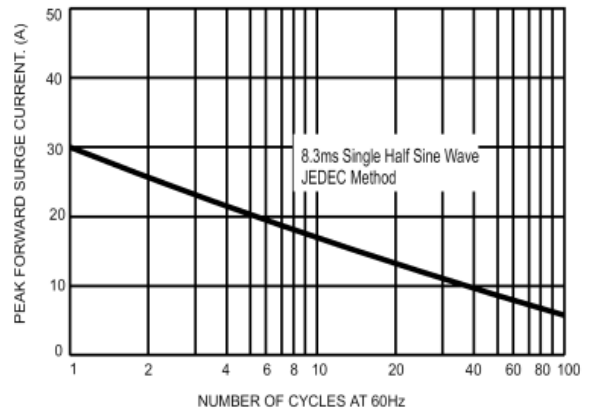


FIG.3- TYPICAL FORWARD CHARACTERISTICS

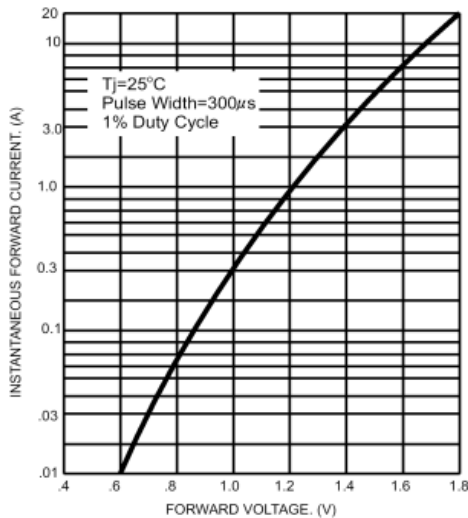


FIG.4- TYPICAL JUNCTION CAPACITANCE

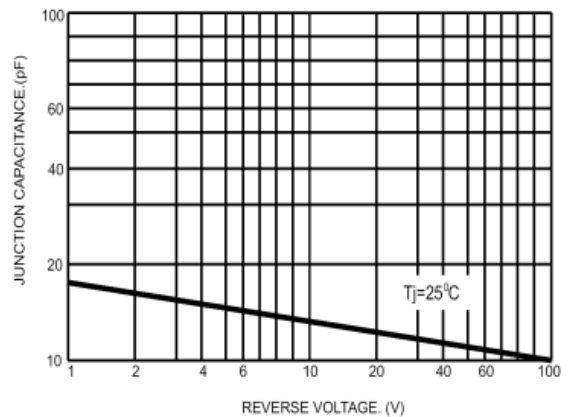
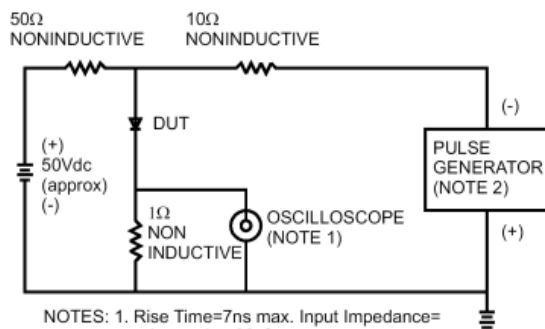


FIG.5- REVERSE RECOVERY TIME CHARACTERISTIC AND TEST CIRCUIT DIAGRAM



- NOTES: 1. Rise Time = 7ns max. Input Impedance = 1 megohm 22pf
2. Rise Time = 10ns max. Source Impedance = 50 ohms

