



Product Specification

Full Color Asynchronous Control Card

HD-D16

V1.0

I. System Overview

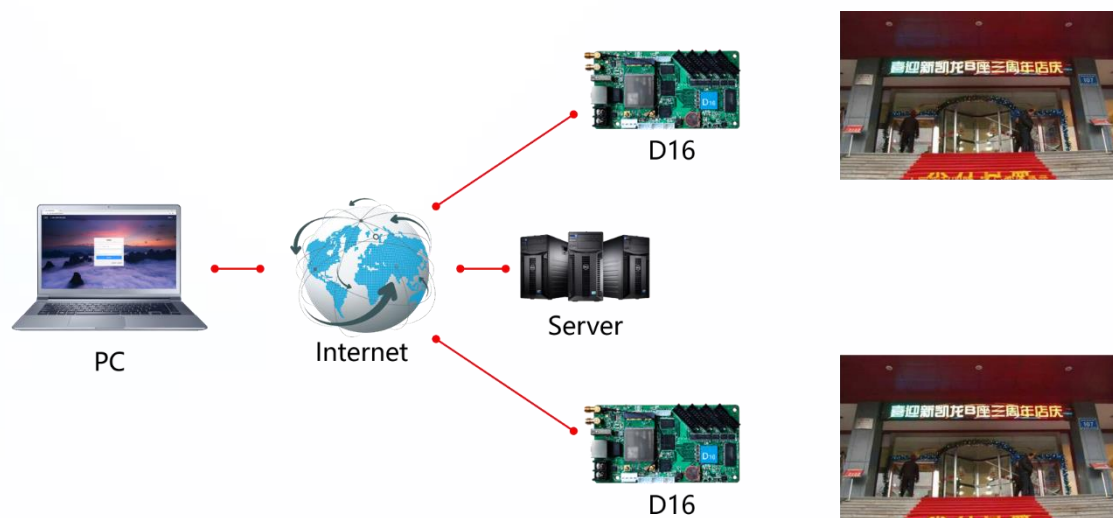
HD-D16 Full color asynchronous Control System is an LED display control system for Lintel led screens, car screen and full color small size led screens. It is equipped with Wi-Fi module, support mobile APP control and Internet remote cluster control.

Supporting computer control software HDPlayer, mobile phone control software LedArt and HD technology clouds management platform.

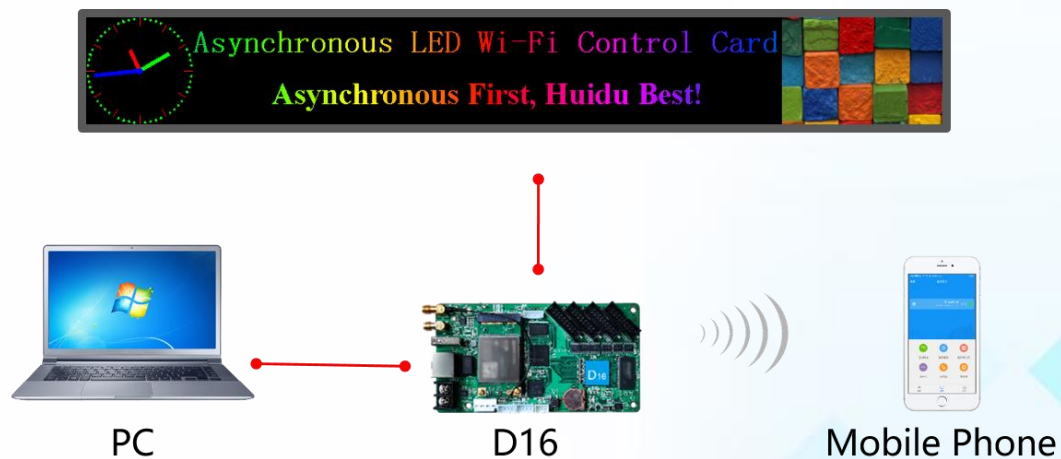
HD-D16 can play offline with on-board 4GB storage space which is for storing program files.

II. Application Scenario

1. The internet cluster management diagram is as follows:



2. The control card can be connected directly with the computer Wi-Fi to update the programs, as shown below:



Note: HD-D16support update the programs by U-disk or removable hard disk.

III. Product Features

1. Standard Wi-Fi module, mobile App wireless management;
2. Support 256~65536 grayscale;
3. Support Video, Picture, Animation, Clock, Neon background;
4. Support word art, animated background, neon light effect;
5. U-disk unlimited expansion program, plug in broadcast;
6. No need set IP, HD-D15 could be identified by controller ID automatically;
7. Support 4G/Wi-Fi/ and network cluster management remote management;
8. Support 720P video hardware decoding, 60HZ frame rate output.

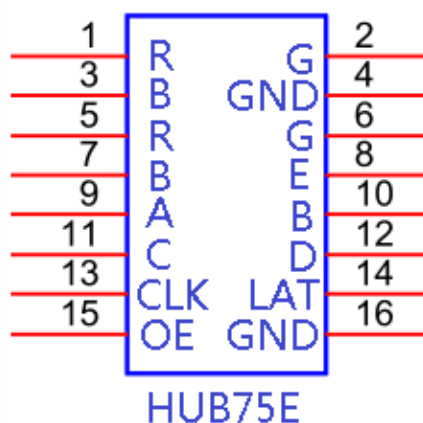
IV. System Function list

Features	Parameters
Module type	Static to 1-64 scan modules
Control Range	1024*64, Widest: 1024, Highest:256
Gray Scale	256~65536
Video Formats	60Hz frame rate output, support 720P video hardware decoding, direct transmission, no transcoding waiting. AVI, WMV, MP4, 3GP, ASF, MPG, FLV, F4V, MKV, MOV, DAT, VOB, TRP, TS, WEBM, etc.
Animation Formats	SWF,FLV ,GIF
Image Formats	BMP,JPG,JPEG,PNG etc.

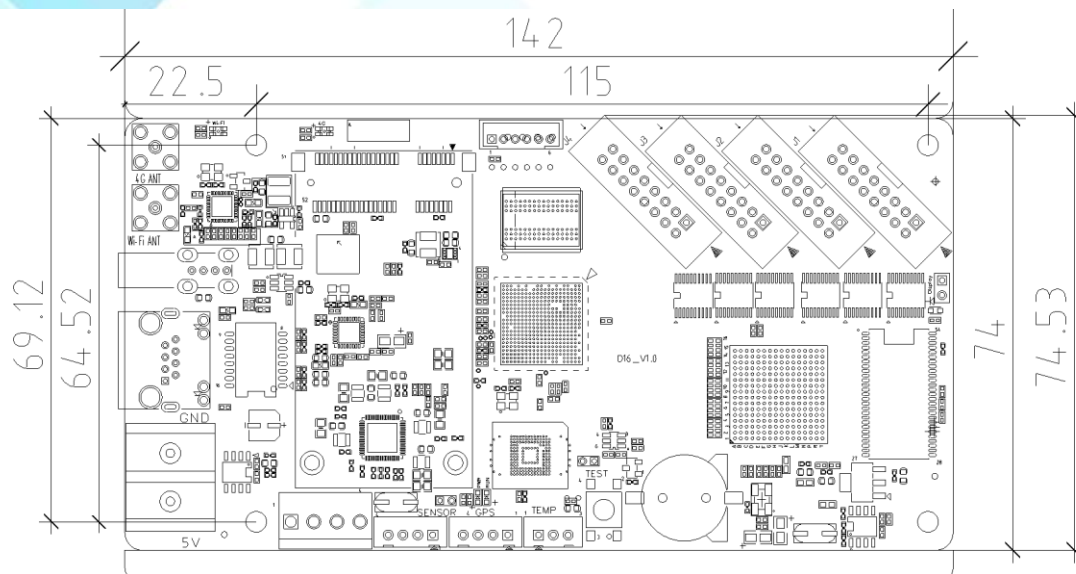
Text	Support text message editing, inserting picture;
Time	analog clock, digital clock and a variety of dial clock functions
Other function	Neon, animations function; Clockwise/counter-clockwise count; support temperature and humidity; Adaptive brightness adjustment function
Memory	4GB memory, more than 4 hours' program support. Indefinitely expanding memory by U-disk;
Communication	U-disk/Wi-Fi/LAN/4G(Optional)
Port	5V Power *1, 10/100M RJ45 *1, USB 2.0 *1, HUB75E *4
Power	5W

V. Interface Definition

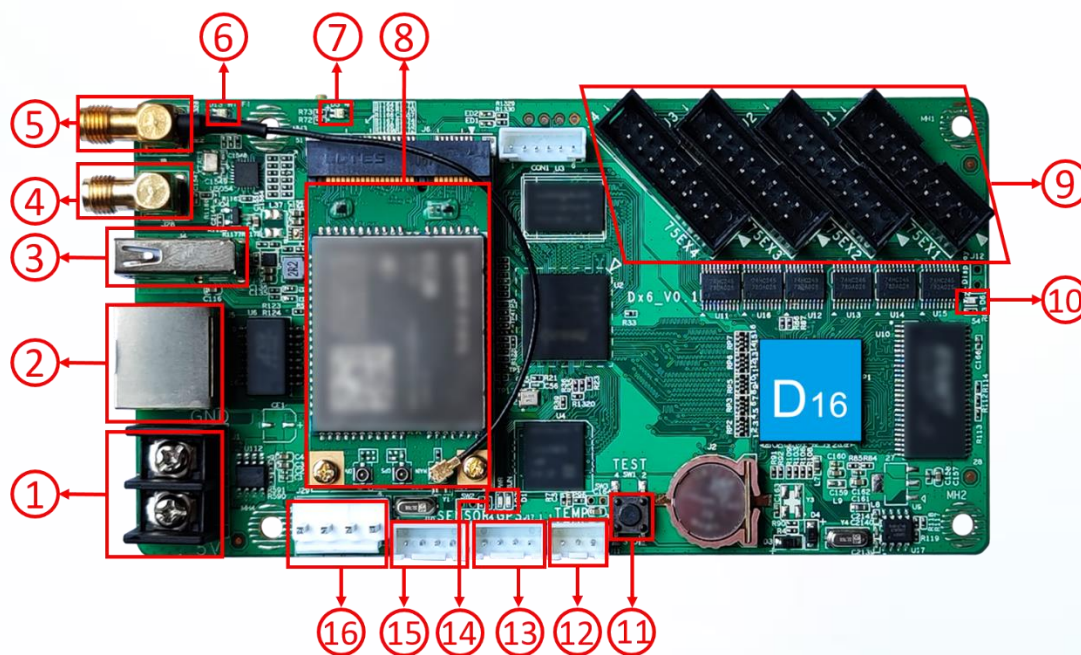
Support 4 groups HUB 75E parallel data are defined ad follows:



VI. Dimension Chart



VII. Interface Description



1. Power terminal, connect 5V power;
2. RJ45 network port and the computer network port , router or switch connected to the normal working state is orange light is always on, green light flashes;
3. USB port: connect to the USB device for update program;
4. Wi-Fi Antenna connector socket: weld antenna socket of Wi-Fi;

5. 4G Antenna connector socket: weld antenna socket of 4G(Optional);
6. Wi-Fi indicator light: display Wi-Fi work status;
7. 4G indicator light: display 4G network status;
8. 4G module: Used to provide control card to access the Internet (Optional);
9. HUB75E port: connect LED screen by cable,;
10. Display light (Display), normal working state is flashing;
11. Test button: for test the brightness and contrast of the display screen;
12. Temperature Sensor port: for connect to Temperature;
13. GPS port: for connect to GPS module, use for time correction and fixed position;
14. Indicator light: PWR is the power indicator, the power supply normal indicator is always on; RUN is the indicator, the normal working indicator flashes;
15. Sensor port: for connect external sensor, Such as environmental monitoring, multi-function sensors, etc.;
16. Power port: Foolproof 5V DC power interface, the same function as 1.

VIII. Basic Parameters

	Minimum	Typical	Maximum
Rated voltage(V)	4.2	5.0	5.5
Storage temperature(°C)	-40	25	105
Work environment temperature(°C)	-40	25	80
Work environment humidity (%)	0.0	30	95
Net weight (kg)	0.06		
Certificate	CE, FCC, RoHS		

Precaution

- 1) To ensure that the control card is stored during normal operation, make sure the battery on the control card is not loose;
- 2) In order to ensure the long-term stable operation of the system; please use the standard 5V power supply voltage.