

## LI48480T021BA4098

2.1 inch, 480\*480 pixels resolution, RGB interface, IPS-TFT-LCD



Disclaimer: The product design is subject to alternation and improvement without prior notice.

## Table of Contents

1 General Feature.....	3
2 Mechanical Drawing.....	4
3 Input/Output Terminals.....	5
4 Electrical Characteristics.....	6
5 Timing Characteristics.....	7
6 Optical Characteristics.....	11
7 Environmental Reliability Test.....	14
8 Packing Capacity & Dimension.....	15
9 Appearance Inspection.....	16
10 Precautions for Use of LCD Modules.....	19
11 LCD Introduction.....	20

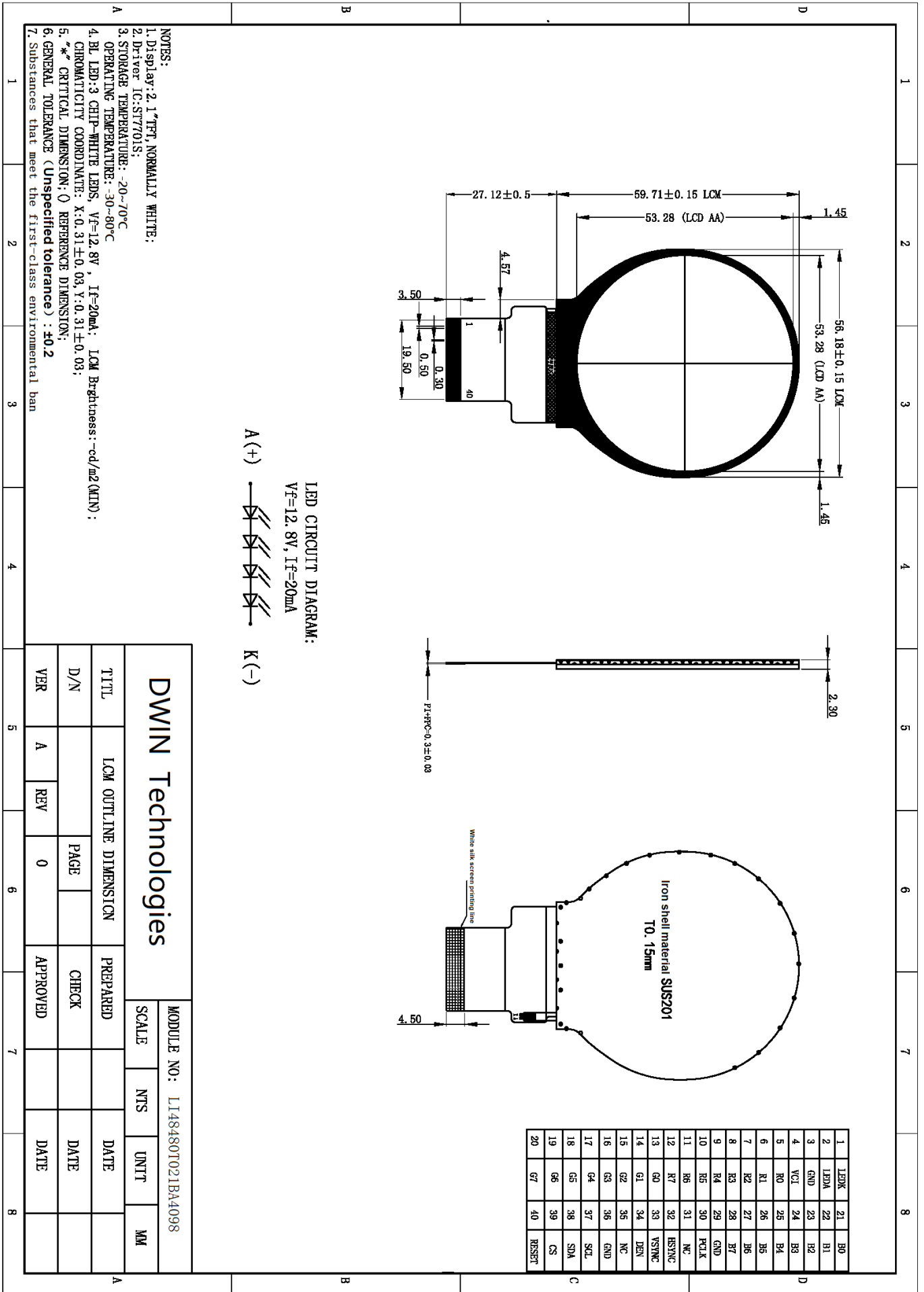
## 1 General Feature

Feature		Description	Unit
Display Spec.	Size	2.1	inch
	Resolution	480(H)*480(V)	pixels
	Pixel Configuration	RGB stripe	-
	Pixel Pitch	0.111(H)*0.111(V)	mm
	Viewing Direction	ALL	-
Mechanical Characteristics	Outside Dimension	56.18(W)*59.71(H)*2.3(D)	mm
	Active Area	53.28(W)*53.28(H)	mm
	Luminance	400	cd/m <sup>2</sup>
	LED Numbers	4 LEDS	-
	Pin Order	From left to right 40PIN_0.5mm	-
	Weight	11	g
Electrical Characteristics	Interface	RGB_24bit	-
	Color Depth	16.7M	colors
	Driver Condition	2.8(Type)	V
	Driver IC	ST7701S	-
Temperature Range	Operating Temp.	-20~70	°C
	Storage Temp.	-30~80	°C

**Note: Requirements on Environmental Protection: RoHS.**

**You can use dynamic screen saver wallpapers to avoid afterimages caused by fixed paper display for a long time.**

## 2 Mechanical Drawing



DWIN Technologies

MODULE NO: L148480T021BA4098

TITLE		LCM OUTLINE DIMENSION		PREPARED	CHECK	DATE
D/N		PAGE				DATE
VER	A	REV	0	APPROVED		DATE

### 3 Input/Output Terminals

Pin NO.	Symbol	Function	Remark
1	LEDK	Back light cathode	
2	LEDA	Back light anode	
3	GND	Ground	
4	VCI	Power supply	
5-12	R0-R7	Data bus	
13-20	G0-G7	Data bus	
21-28	B0-B7	Data bus	
29	GND	Ground	
30	PCLK	Clock signal	
31	NC	Not connect	
32	HSYNC	Line synchronizing signal	
33	VSYNC	Frame synchronizing signal	
34	DEN	Data ENABLE signal	
35	NC	Not connect	
36	GND	Ground	
37	SCL	Serial clock input for SPI interface	
38	SDA	Serial data input/output bidirectional pin for SPI interface	
39	CS	A Chip Select signal	
40	RESET	Reset Signal pin	

## 4 Electrical Characteristics

### 4.1 Driving TFT LCD Panel

Item	Symbol	Min.	Typ.	Max.	Unit	Remark
Analog Voltage	VCC	2.6	2.8	3.3	V	
Input Logic High Voltage	VIH	0.7VCC	-	VCC	V	
Input Logic Low Voltage	VIL	GND	-	0.3VCC	V	
Output Logic High Voltage	VOH	0.8VCC	-	VCC	V	
Output Logic Low Voltage	VOL	GND	-	0.2VCC	V	

### 4.2 LED Backlight Specification

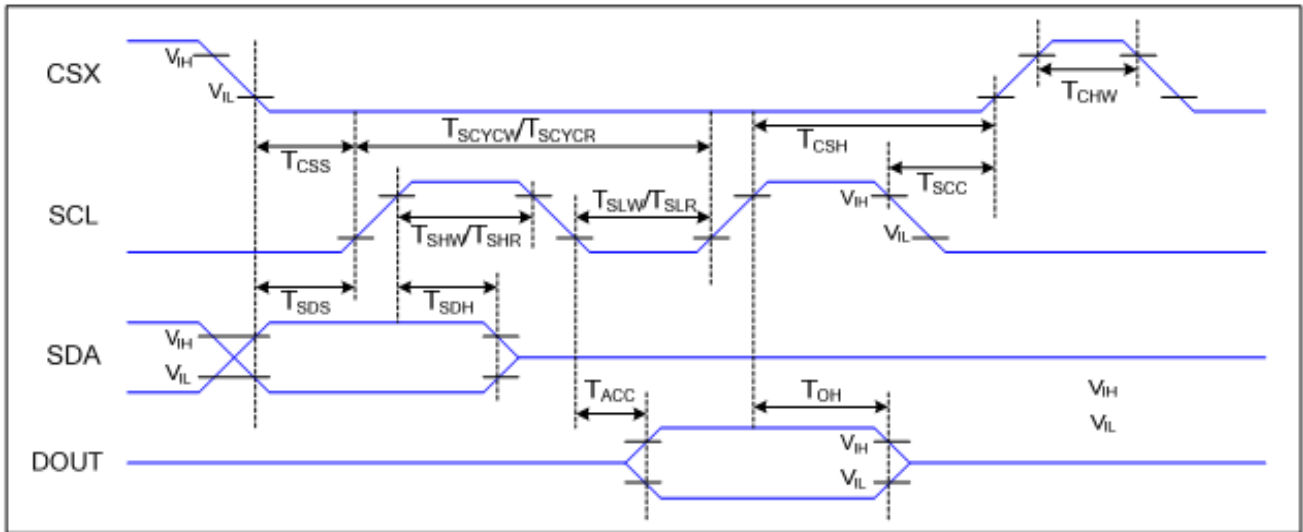
Item	Symbol	Min.	Typ.	Max.	Unit	Remark
Forward Voltage	$V_F$	11.2	12.8	13.2	V	
Forward Current	$I_F$	-	20	-	mA	
Luminance(with LCD)	$L_v$	-	400	-	cd/m <sup>2</sup>	
Power Consumption	$P_{LED}$	-	192	-	mW	
Uniformity	YU	75	80	-	%	
LED Life-Time	Hr	-	30000	-	Hour	

Note: 4 LEDs (4 LEDs Serial, 1 way Parallel)



## 5 Timing Characteristics

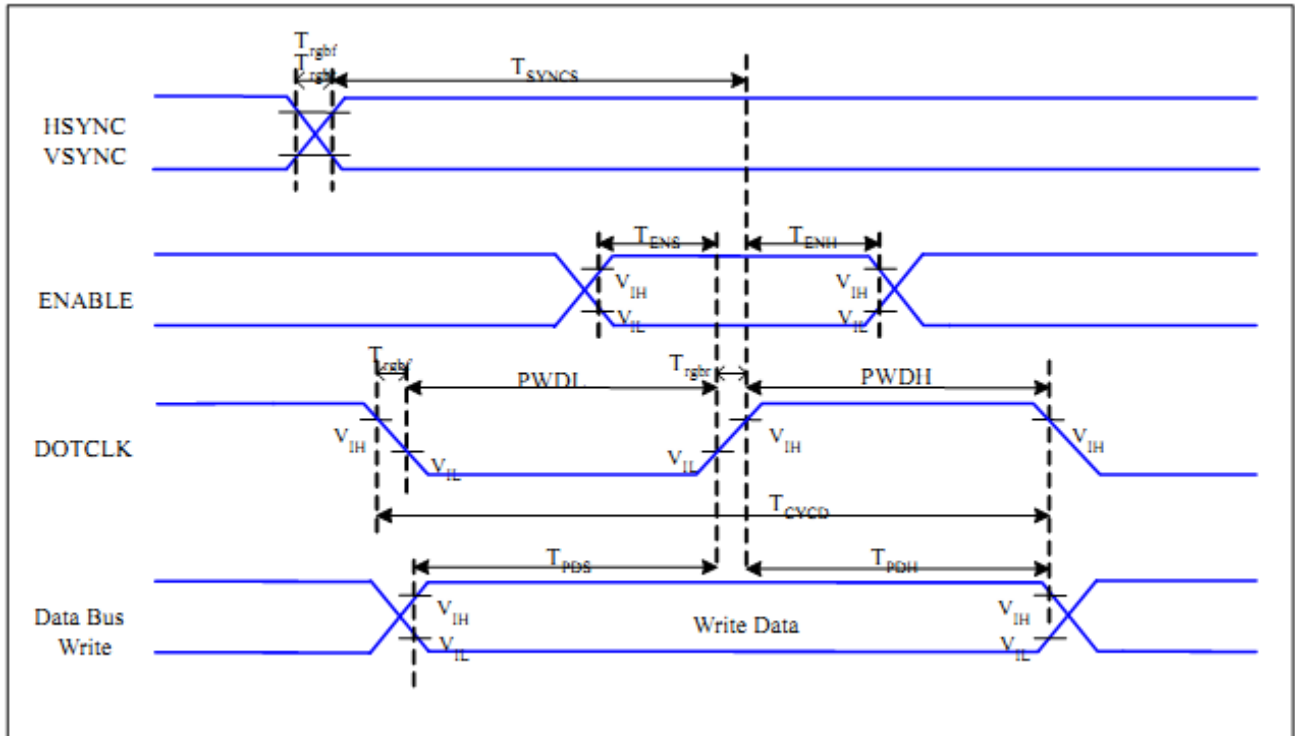
### 5.1 Serial Interface Characteristics (3-line serial)



$V_{DDI}=1.65$  to  $3.3V$ ,  $V_{DD}=2.4$  to  $3.3V$ ,  $AGND=DGND=0V$ ,  $T_a=-30$  to  $70$  °C

Signal	Symbol	Parameter	Min	Max	Unit	Description
CSX	$T_{CSS}$	Chip select setup time (write)	15		ns	
	$T_{CSH}$	Chip select hold time (write)	15		ns	
	$T_{CSS}$	Chip select setup time (read)	60		ns	
	$T_{SCC}$	Chip select hold time (read)	65		ns	
	$T_{CHW}$	Chip select "H" pulse width	40		ns	
SCL	$T_{SCYCW}$	Serial clock cycle (Write)	66		ns	
	$T_{SHW}$	SCL "H" pulse width (Write)	15		ns	
	$T_{SLW}$	SCL "L" pulse width (Write)	15		ns	
	$T_{SCYCR}$	Serial clock cycle (Read)	150		ns	
	$T_{SHR}$	SCL "H" pulse width (Read)	60		ns	
	$T_{SLR}$	SCL "L" pulse width (Read)	60		ns	
SDA (DIN)	$T_{SDS}$	Data setup time	10		ns	
	$T_{SDH}$	Data hold time	10		ns	
DOUT	$T_{ACC}$	Access time	10	50	ns	For maximum $CL=30pF$
	$T_{OH}$	Output disable time	15	50	ns	For minimum $CL=8pF$

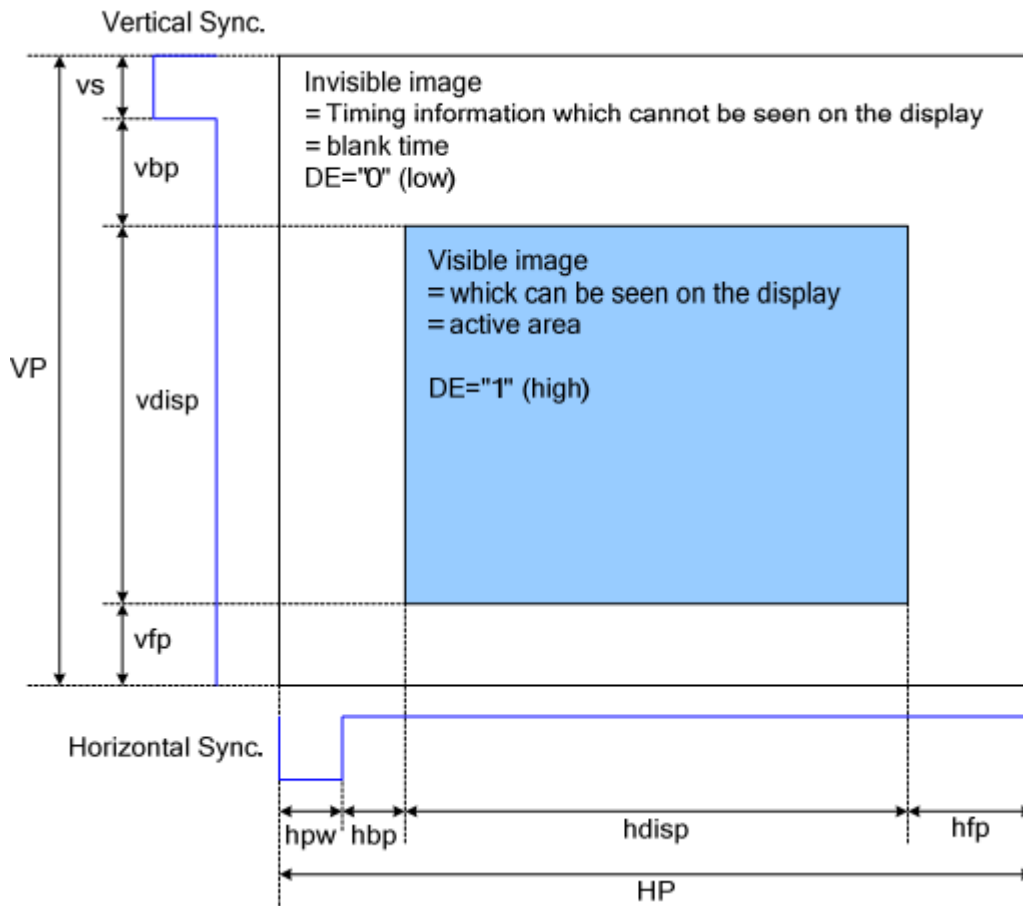
## 5.2 RGB Interface Characteristics



Signal	Symbol	Parameter	MIN	MAX	Unit	Description
HSYNC, VSYNC	$T_{syncs}$	VSYSNC, HSYNC Setup Time	30	-	ns	
ENABLE	$T_{ens}$	Enable Setup Time	25	-	ns	
	$T_{enth}$	Enable Hold Time	25	-	ns	
DOTCLK	PWDH	DOTCLK High-level Pulse Width	60	-	ns	
	PWDL	DOTCLK Low-level Pulse Width	60	-	ns	
	$T_{cycd}$	DOTCLK Cycle Time	120	-	ns	
	$T_{rghr}, T_{rghf}$	DOTCLK Rise/Fall time	-	20	ns	
DB	$T_{pds}$	PD Data Setup Time	50	-	ns	
	$T_{pdh}$	PD Data Hold Time	50	-	ns	



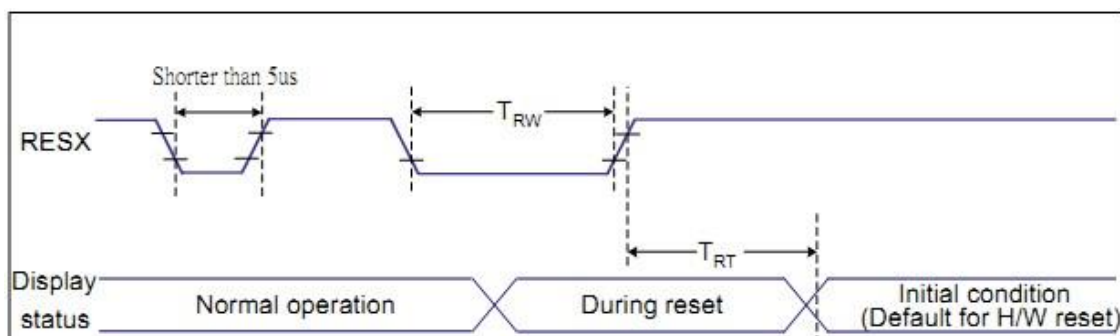
### 5.3 RGB Interface Definition



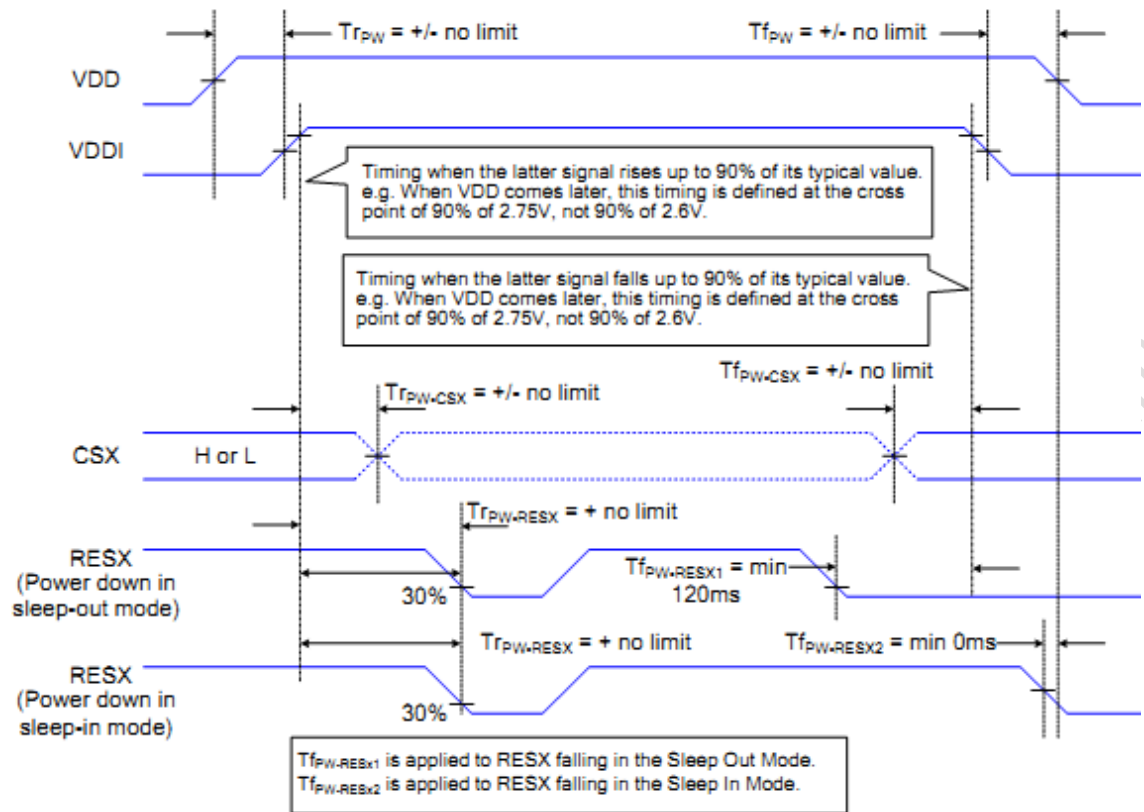
Parameter	Symbol	Min.	Typ.	Max.	Unit
Horizontal Sync. Width	hpw	2	10	hpw+hbp=31	Clock
Horizontal Sync. Back Porch	hbp	4	10		Clock
Horizontal Sync. Front Porch	hfp	2	38	-	Clock
Vertical Sync. Width	vs	1	4	vs+vbp=127	Line
Vertical Sync. Back Porch	vbp	1	4		Line
Vertical Sync. Front Porch	vfp	1	8	-	Line

### 5.4 Reset Timing

Related Pins	Symbol	Parameter	MIN	MAX	Unit
RESX	TRW	Reset pulse duration	10	-	us
	TRT	Reset cancel	-	5	ms
				120	ms



### 5.5 Power On/Off Sequence



## 6 Optical Characteristics

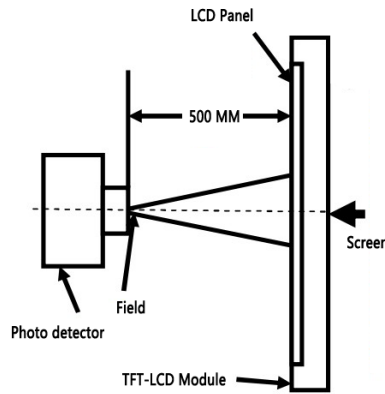
Item	Symbol	Condition	Min.	Typ.	Max.	Unit	Remark
Viewing Angle	Top	$CR \geq 10$	80	85	-	Deg.	Note 1
	Bottom		80	85	-		
	Left		80	85	-		
	Right		80	85	-		
Contrast Ratio	CR	$\theta=0^\circ$	800	1000	-		Note 2
Response Time	$T_r+T_f$	$\theta=0^\circ$	-	30	35	ms	
Color Chromaticity (CIE1931)	Wx	$\theta=0^\circ$	0.285	0.300	0.315		
	Wy		0.311	0.326	0.341		
	Rx		0.640	0.655	0.670		
	Ry		0.312	0.327	0.342		
	Gx		0.269	0.284	0.299		
	Gy		0.579	0.594	0.609		
	Bx		0.123	0.138	0.153		
	By		0.096	0.111	0.126		
Transmittance	Tr	$\theta=0^\circ$	3.6	4.0	-	%	
Color Gamut	NTSC	$\theta=0^\circ$	64	69	-	%	

Test conditions:

IF= 20 mA, and the ambient temperature is 25°C.

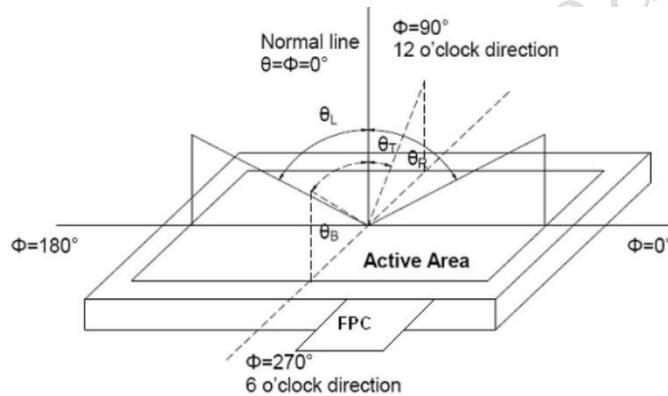
**Note 1: Definition of optical measurement system.**

The optical characteristics should be measured in dark room. After 5 minutes operation, the optical properties are measured at the center point of LCD.



**Note 2: Definition of viewing angle range and measurement system.**

The viewing angle is measured at the center point of the LCD by BM-7A.

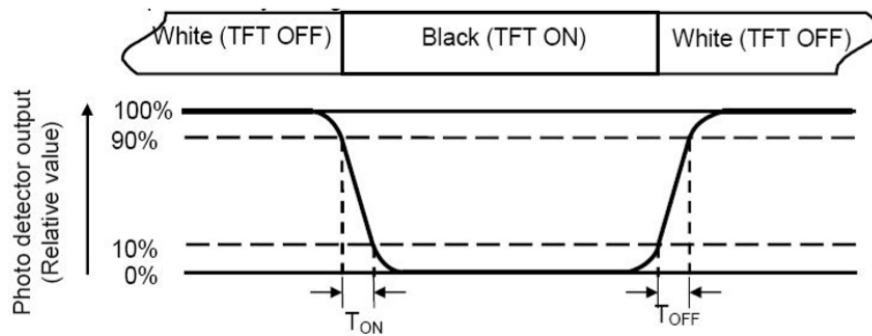


**Note 3: Definition of color temperature.**

When the radiation of the light source is exactly the same in the visible region and the absolute blackbody, the temperature of the blackbody is called the color temperature of the light source. Color temperature is an index to measure the degree of light source color (cold color, warm color). Warm color < 3300K, intermediate color 3300 ~ 5000K, cold color > 5000K.

**Note 4: Definition of response time.**

The response time is defined as the LCD optical switching time interval between “White” state and “Black” state. Time ON (TON) is the time between photo detector output intensity changed from 90% to 10%. And time off (TOFF) is the time between photo detector output intensity changed from 10% to 90%.

**Note 5: Definition of color chromaticity (CIE1931).**

Color coordinates measured at center point of LCD.

**Note 6: Definition of luminance.**

Measure the luminance of white state at center point.

## 7 Environmental Reliability Test

NO	Test Item	Condition	Remarks
1	High Temperature Operation	Ta=+70°C,48hours	IEC60068-2-1:2007 GB2423.2-2008
2	Low Temperature Operation	Ta=-20°C,48hours	IEC60068-2-1:2007 GB2423.1-2008
3	High Temperature Storage	Ta=+80°C,48hours	IEC60068-2-1:2007 GB2423.2-2008
4	Low Temperature Storage	Ta=-30°C,48hours	IEC60068-2-1:2007 GB2423.1-2008
5	Storage at High Temperature and Humidity	Ta=+40°C,90% RH max,48hours	IEC60068-2-78 :2001 GB/T2423.3-2006
6	Thermal Shock (non-operation)	-20°C /30min← →+70°C/30min, Change time: 5min,10 cycles	Start with cold temperature, End with high temperature, IEC60068-2-14:1984, GB 2423.22-2002

## 8 Packing Capacity & Dimension

Dimension			
Dimension(mm)	56.18(W)*59.71(H)*2.3(D)		
Net Weight	11g		
Packing Capacity			
Size	LCD Size and Resolution	Layer	Quantity(Pcs)
250mm(L)x200mm(W)x80mm(H)	2.1 inch 480*480	1	1
600mm(L)x450mm(W)x300mm(H)	2.1 inch 480*480	2	240

Packing instruction:

The LCD is placed in the grid, covered with a PE static bag and compactly assembled, the upper and the lower layers of the grid are protected by buffer spaces.

The LCD covered with a PE static bag and compactly assembled



placed in the grid



The upper and the lower layers of the grid are protected by buffer spaces



Packed



## 9 Appearance Inspection

### 9.1 General rules for inspection

9.1.1 Anti-static wearables (anti-static wristbands, gloves) must be worn during the inspection.

9.1.2 Do not use bare hands to touch the position of the device, golden fingers, and the surface of the screen to prevent the sweat from human hands from causing oxidation and affecting the appearance.

9.1.3 It is forbidden to stack products out of specification and handle them with care to avoid damage to components.

9.1.4 The repaired products need to be inspected to prevent rosin and tin slag from exceeding the specifications.

9.1.5 When technical documents and process documents have specific requirements for products, the technical documents and process documents shall be the main requirements.

### 9.2 Inspection conditions

9.2.1 The conditions of display function check

Angle:  $\pm 5^\circ$ ;

Inspection method: visual inspection. The inspection object is 30-40cm away from the light source, and the eye is 30-40cm away from the inspection object;

Illumination: 300-500Lux;

Inspection time: 5-10S.

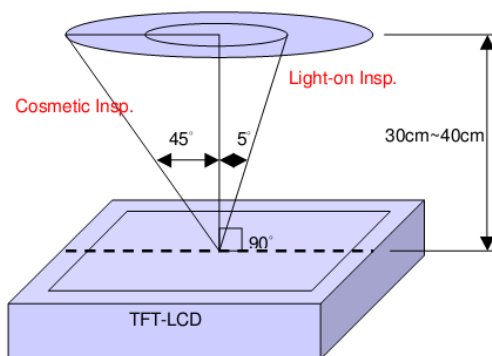
9.2.2 Visual inspection conditions

Angle:  $\pm 45^\circ$ ;

Inspection method: visual inspection. The inspection object is 30-40cm away from the light source, and the eye is 30-40cm away from the inspection object;

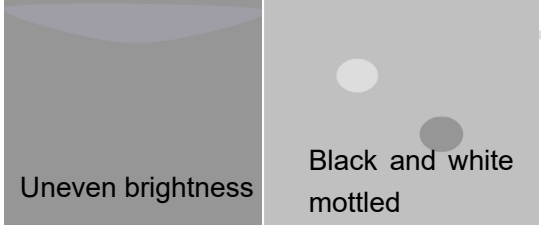
Illumination: 800-1500Lux;


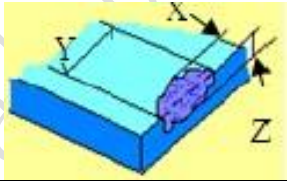
Inspection time: 5-10S.





## 9.3 Inspection standards

Type	Test Items	Judgement Standard	Defect Category
Display state	Dead pixels	No dead pixels	
	mura	<p>From different angles, the brightness is required to be uniform.                      Under the 64-level grayscale or pure black interface, there should be no uneven display brightness within the viewing angle range of 45° through 6% ND FILTER.                      Y series (TV film) LCD screen does not have specific requirements, and the picture inspection does not affect the display as qualified.</p> 	Slight defect
	Light leakage	<p>Under the 64-level grayscale or pure black interface, there should be no obvious light leakage within the viewing angle range of 45° by visual inspection or through 6% ND FILTER.                      Y series (TV LCD screen) series can be without obvious visual defects.</p>	Slight defect
	Linear foreign bodies	<p>1. <math>W \leq 0.05</math>, <math>L \leq 2\text{mm}</math>, negligible;                      2. <math>0.05\text{mm} &lt; W \leq 0.1\text{mm}</math>, <math>L \leq 2\text{mm}</math>, <math>N \leq 3</math>;                      3. <math>W &gt; 0.1\text{mm}</math>, <math>L &gt; 2\text{mm}</math>, not allowed.</p>	Slight defect
Screen surface	Within the effective area	<p>Spotted:                      1. <math>D \leq 0.2\text{mm}</math> and it is not a piece, it is not counted;                      2. <math>0.2\text{mm} &lt; D \leq 0.5\text{mm}</math>, <math>N \leq 3</math>;                      3. <math>D &gt; 0.5\text{mm}</math>, <math>L &gt; 0.5\text{mm}</math>, <math>W &gt; 0.5\text{mm}</math> are not allowed;                      (The spotted foreign objects shall not exceed the point-line gauge <math>D=0.5</math>, and the black dot coverage shall be checked, and the spotted foreign objects shall be judged within the range of <math>D=0.5</math>)</p>	Slight defect

	Foreign objects Scratch Air bubbles	Linear: 1. $W \leq 0.05$ , $L \leq 2\text{mm}$ , ignored; 2. $0.05 < W \leq 0.1\text{mm}$ , $L \leq 2\text{mm}$ , $N \leq 3$ ; 3. $W > 0.1\text{mm}$ , $L > 2\text{mm}$ , not allowed.	
	Outside the effective area Foreign objects Scratches Air bubbles	Foreign objects are not checked, and bubbles are not allowed to $D > 1\text{mm}$ ; Non-inductive scratches of no more than $0.1 \times 8\text{mm}$ are allowed.	Slight defect
	Crack	Not allowed.	 Slight defect
	Notch	1. Does not affect the appearance from the front; 2. Does not affect the relevant alignment; 3. $X \leq 1\text{mm}$ , $Y \leq 1\text{mm}$ , $N \leq 2$ .	 Slight defect
	Glass side Foreign objects Dirty	1. The foreign body on the side is not controlled; 2. The paint pen marks on the side are not controlled; 3. Side oily note printing is not allowed.	Slight defect
FPC	Cracks Goldfinger crease	Not allowed.	Heavy deficit
	Crease	Slight creases are not controlled; The crease is whitish and has lines, which is not allowed.	Heavy deficit
	Top wound, stab wound	No damage to the line, $D \leq 0.2\text{mm}$ ; Damage to the line is not allowed.	Heavy deficit
	Scratch	Slight scratches on the surface are not controlled; Damage to the line is not allowed.	Heavy deficit
	Goldfinger scratch	$W \leq 0.05\text{mm}$ , no control; $W > 0.05\text{mm}$ , not allowed; Test probe tip marks are not controlled.	Heavy deficit
	Component	Under-soldering, over-soldering and false soldering are not allowed.	Heavy deficit

## 10 Precautions for Use of LCD Modules

### 10.1 Handling Precautions

10.1.1 The display panel is made of glass. Do not subject it to a mechanical shock by dropping it from a high place, etc.

10.1.2 If the display panel is damaged and the liquid crystal substance inside it leaks out, be sure not to get any in your mouth, if the substance comes into contact with your skin or clothes, promptly wash it off using soap and water.

10.1.3 Do not apply excessive force to the display surface or the adjoining areas since this may cause the color tone to vary.

10.1.4 The polarizer covering the display surface of the LCD module is soft and easily scratched. Handle this polarizer carefully.

10.1.5 If the display surface is contaminated, breathe on the surface and gently wipe it with a soft dry cloth. If still not completely clear, Can only use LCD dedicated cleaner, the following organic solvent can not be used:

- Isopropyl alcohol
- Ethyl alcohol
- Ketone
- Aromatic solvents

10.1.6 Do not attempt to disassemble the LCD Module.

10.1.7 If the logic circuit power is off, do not apply the input signals.

10.1.8 To prevent destruction of the elements by static electricity, be careful to maintain an

10.1.9 optimum work environment.

10.1.9.1 Be sure to ground the body when handling the LCD Modules.

10.1.9.2 Tools required for assembly, such as soldering irons, must be properly ground.

10.1.9.3 To reduce the amount of static electricity generated, do not conduct assembly and other work under dry conditions.

10.1.9.4 The LCD Module is coated with a film to protect the display surface. Be care when peeling off this protective film since static electricity may be generated.

### 10.2 Storage precautions

10.2.1 When storing the LCD modules, avoid exposure to direct sunlight or to the light of fluorescent lamps.

10.2.2 The LCD modules should be stored under the storage temperature range. If the LCD modules will be stored for a long time, the recommend condition is:

Temperature: 0°C ~ 40°C Relatively humidity: ≤80%.

10.2.3 The LCD modules should be stored in the room without acid, alkali and harmful gas.

### 10.3 Transportation Precautions

10.3.1 The LCD modules should be no falling and violent shocking during transportation, and also should avoid excessive press, water, damp and sunshine.

## 11 LCD Introduction

### 11.1 Process capacity

DWIN adopts original class A glass and the entire production is in the park from cleaning, cutting, bonding, and laminating of large glass to backlight assembly, quality inspection, and aging.

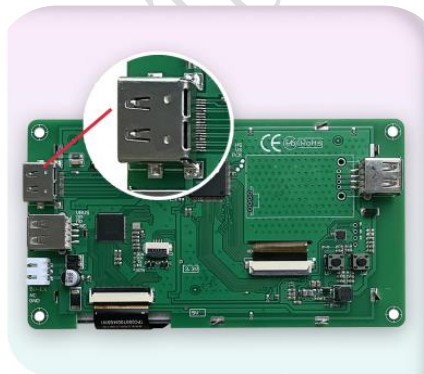
There are 12,000 square meters of clean workshop, with a monthly production capacity of about 2.5 million pieces. Each piece of LCD produced in the factory is for 30 days of aging.



### 11.2 ODM service

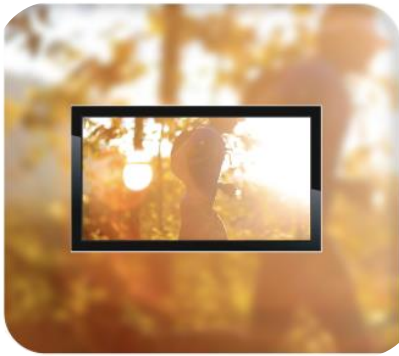
Based on LCD products of 1.5~21.5 inches, DWIN provides the following customization services.

#### 1、LCD HDMI interface customization.



HDMI interface

2、Special screen customization such as high brightness, ultra-wide temperature and strong electromagnetic protection.



High luminance  
(up to 1200nit)



Ultra-wide temperature  
(-40~85℃)



Strong electromagnetic  
protection

3、Lamination customization service of LCD + TP.



LCM+RTP

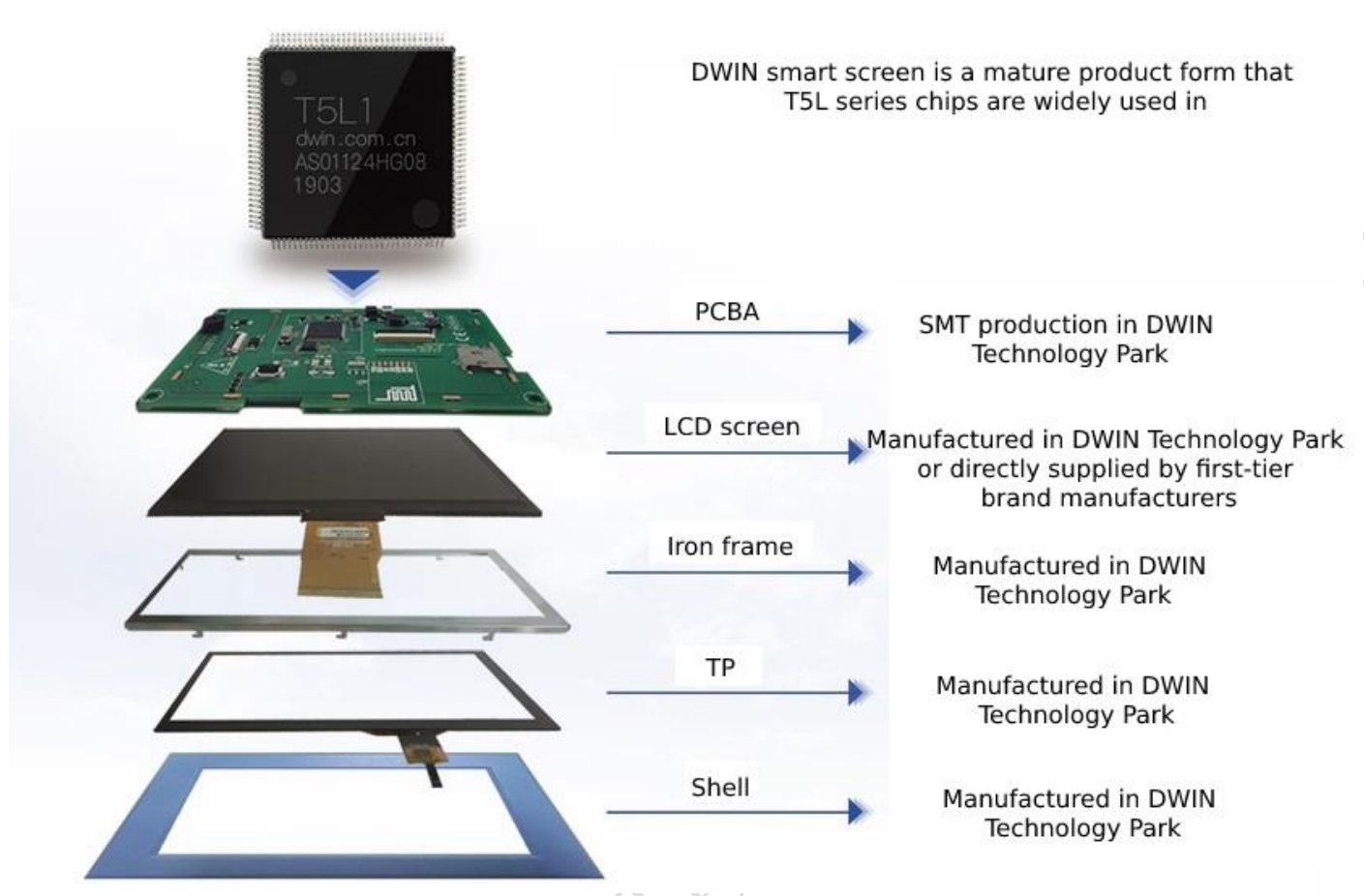


LCM+CTP

4、Customization service of DWIN self-developed T5L ASIC+ LCD + TP.



### 5、Smart screen finished product customization.



Please contact our sales staff for other customization needs.

## Record of Revision

Rev	Date	Description	Editor
00	2022-05-12	First Release	Zheng Yunjia
01	2022-07-13	Revise CAD	Zheng Yunjia
02	2023-01-13	Add Product Picture Update Operating Temp and Storage Temp	Chen Xian
03	2023-02-22	Update Packing Capacity	Chen Xian

Please contact us if you have any questions about the use of this document or our products, or if you would like to know the latest information about our products:

Customer service tel: +86 400 018 9008

Customer service email: [dwinhmi@dwin.com.cn](mailto:dwinhmi@dwin.com.cn)

DWIN developer forum: <https://forums.dwin-global.com/index.php/forums/>

Thank you all for continuous support of DWIN, and your approval is the driving force of our progress!