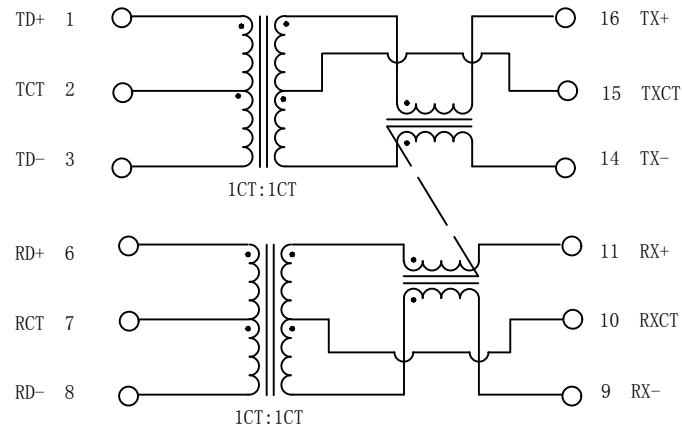


# Schematic:

REV.	ECN NO.	DESCRIPTION	DATE	APPD
B	REL		2017/06/29	

CHIP SIDE



MEDIA SIDE

## Electrical Specifications @25°C

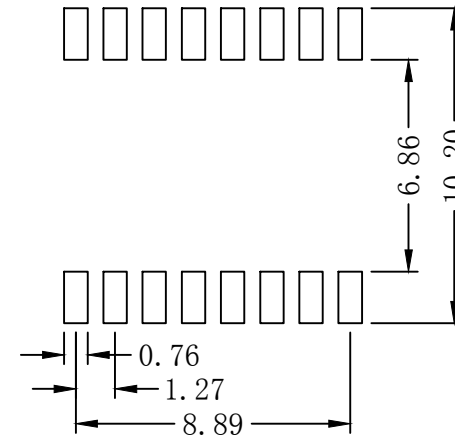
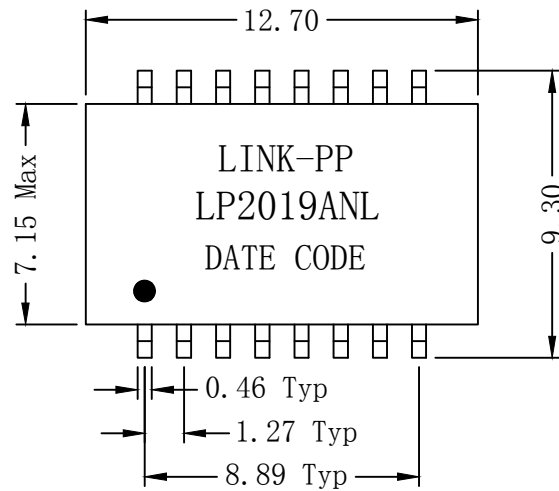
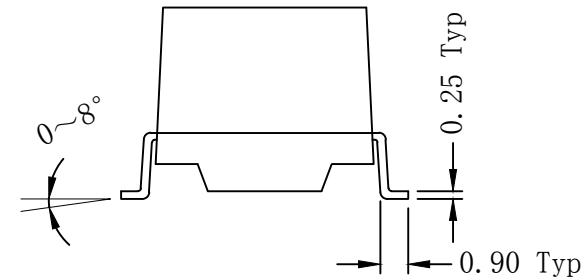
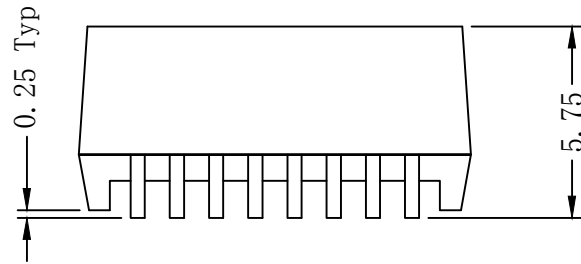
1. OCL: 350uH MIN  
@100KHz, 100mV, 8mADC
2. Turns Ratio:  
TX=1CT:1CT      RX=1CT:1CT
3. Insertion Loss:  
0.1-100MHz:-1.4dB MAX
4. Return Loss(dB MIN):  
1-30MHz:-16      40MHz:-14  
50MHz:-13      60-80MHz:-12
5. Crosstalk(dB MIN):  
30MHz:-45      60MHz:-40  
100MHz:-35
6. DCMR (dB MIN):  
30MHz:-43      60MHz:-37  
100MHz:-33
7. Isolation Voltage: 1500Vrms MIN
8. Operating Temperature: -40°C ~ +85°C.



X:X	APPD:	LINK-PP INT'L TECHNOLOGY CO., LIMITED		
X:XX ±0.25	CHKD:	TITLE: 10/100Base-TX VoIP Magnetics Modules For PoE+ Application		
X:XXX	DR: James	PART NO.: LP2019ANL		
ANGLES ±1°	UNIT: mm			
	SCALE: 2/1	SHEET: 1/2	REV: B	DWG NO.: LP17062922

# Mechanical:

REV.	ECN NO.	DESCRIPTION	DATE	APPD
B	REL		2017/06/29	



SUGGESTED PAD LAYOUT

## NOTES:

1. Designed to support application, such as SOHO (ADSL modems), LAN-on-Motherboard (LOM), hub and Switches.
2. With various Turns Ratios.
3. 720mA current capability
4. Maximum reflow temperature is 250°C, 5 Sec.
5. UL Certification: File Number E484635.



Dimensions: mm

Unless otherwise specified, all tolerances are  $\pm 0.25$

X:X	APPD:	LINK-PP INT'L TECHNOLOGY CO., LIMITED		
X:XX $\pm 0.25$	CHKD:	TITLE: 10/100Base-TX VoIP Magnetics Modules For PoE+ Application		
X:XXX	DR: James	PART NO.: LP2019ANL		
ANGLES $\pm 1^\circ$	UNIT: mm			
	SCALE: 2/1	SHEET: 2/2	REV: B	DWG NO.: LP17062922