

PRODUCT CODE:-

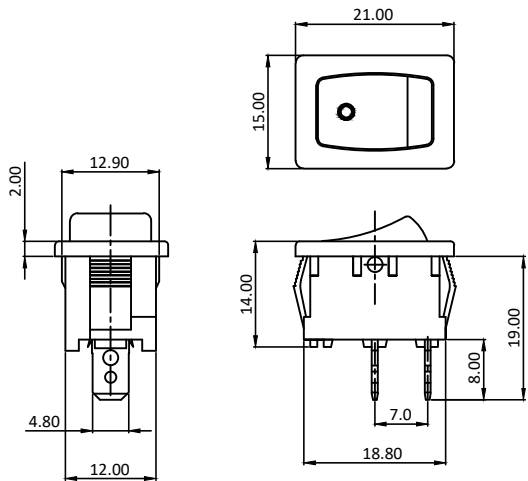
RSF-11-5-Series

CATEGORY:-

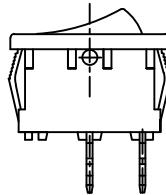
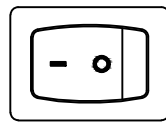
ROCKER SWITCH

BASIC DIMENSIONS

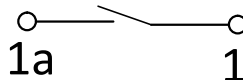
'O' Printing



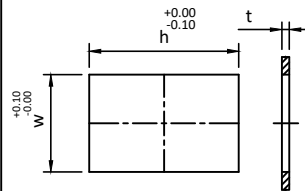
I - O Printing



CIRCUIT DIAGRAM



PANEL CUTOUT



t	h	w
0.75-2.00	19.40	12.90
2.00-3.00	19.80	12.90

Dust Cap



SPECIFICATION TABLE

SR.NO	PARAMETER	SPECIFICATION	
1	Type	Rocker switch,SPST	
2	Panel Thickness	Refer Panel Cut out table	
3	V/A Rating	4A/6A/16A,250Vac.	
4	Contact Resistance(Initial)	10 m Ohms. Max.	
5	Insulation Resistance at 500 V DC	100 M Ohms Min.	
6	H.V.Break Down Test(For 1-Minute)	1.5 KV AC	
7	Mounting	Panel, Snap-in	
8	Terminals	Soldering-Fast on-4.80x0.80	
9	Electrical Life	10,000 Cycles Min.	
10	Permissible Temp.	(a)With/Without Load	-25°C TO +85°C
		(b)For Soldering	270°C for 5 Sec Max.
11	Material	(a) Body	Nylon
		(b) Cap	Nylon : Black/Red.
		(c) Terminals	Copper Alloy, Silver Plating.
		(d) Contacts	Silver & Copper, Silver Plating
12	Reference Standard	IEC-61058-1,UL-1054	
13	Compliance Marking	(On Request)	

ORDERING CODE

Series	Function	Current Rating	Knob Printing	Variety	Approval	Color Code																														
RSF	11 SPST	<table border="1"> <tr><td>04</td><td>4A</td></tr> <tr><td>06</td><td>6A</td></tr> <tr><td>16</td><td>16A</td></tr> </table>	04	4A	06	6A	16	16A	<table border="1"> <tr><td>-</td><td>None</td></tr> <tr><td>P1</td><td></td></tr> <tr><td>P2</td><td></td></tr> <tr><td>P3</td><td></td></tr> <tr><td>P4</td><td></td></tr> <tr><td>P5</td><td></td></tr> <tr><td>P7</td><td></td></tr> <tr><td>P8</td><td></td></tr> </table>	-	None	P1		P2		P3		P4		P5		P7		P8		5	<table border="1"> <tr><td>No Suffix</td><td>Non RoHS</td></tr> <tr><td>V</td><td></td></tr> </table>	No Suffix	Non RoHS	V		<table border="1"> <tr><td>03</td><td>Black</td></tr> <tr><td>04</td><td>Red</td></tr> </table>	03	Black	04	Red
04	4A																																			
06	6A																																			
16	16A																																			
-	None																																			
P1																																				
P2																																				
P3																																				
P4																																				
P5																																				
P7																																				
P8																																				
No Suffix	Non RoHS																																			
V																																				
03	Black																																			
04	Red																																			

APP	03.06.12	PBM	<p>Plot E-4, Kagal Five Star MIDC, Kagal, Kolhapur, MH - 416236, India</p> <p>Elcom International Pvt. Ltd.</p> <p>www.elcom-in.com</p>							
CHK	03.06.12	GJG								
DRN	03.06.12	Vicky								
REV	IS	WAS	DATE	SIGN	APP.	BY	DATE	SIGN		
UNSP.TOLERANCE			DIMNS. IN	WT(Gm)	SCALE:-	PROJECTION	SHEET	DRAWING NUMBER		
OVER	-	1	10	mm	Max.	NTS.		1 OF 1	P R S F 2 0 1 1	REVISION
UP TO	1	10	-	Moulding, plating details as per Bill of Material						0
±	0.2	0.3	0.5	Unspecified colour is Black, GF:Glass filled.						

F:ENG-08.00

Note: Technical specifications are subject to change without prior notice

Copyright © 2019 by Elcom International Pvt.Ltd, India. All rights reserved