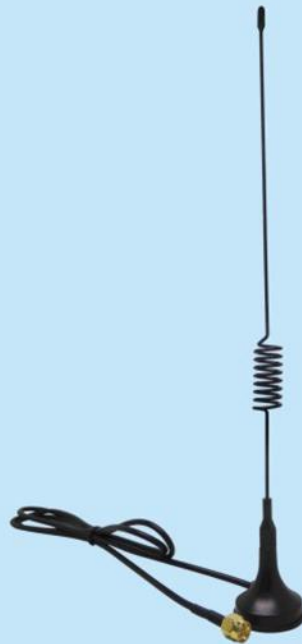


Product Specification



Catalogue

1. Description.....	- 3 -
2. Technical Parameter.....	- 3 -
3. Size.....	- 3 -
4. VSWR Chart.....	- 3 -

Note: Revision History

Revision	Date	Comment
V1.0	2014-08	First release
V2.0	2016-06	Typesetting, measurements revised
V2.1	2017-06	Logo updated
V2.2	2020-11	Description updated

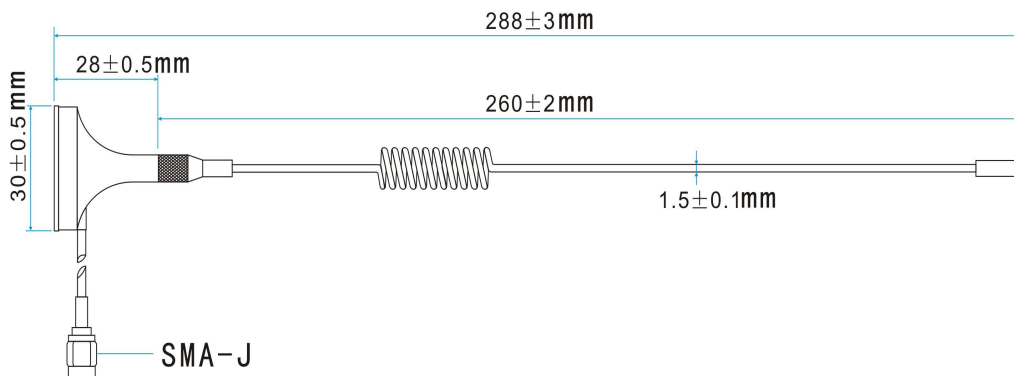
1. Description

SW868-XP1M, small sucker antenna, designed specially for 868MHz wireless communication, it has good VSWR, ingenious structure, easy installation, stable performance, with good anti-vibration and anti-aging ability.

2. Technical Parameter

- Frequency Range: 868 ±10 MHz
- VSWR: ≤ 1.5
- Gain: 3.0 dBi
- Input impedance: 50 Ω
- Max power: 10 W
- Polarization: vertical polarization
- Height: 288±3 mm
- Interface form: SMA-J(customizable)
- Cable length: 1m (customizable)
- Color: black
- Weight: 32.2g

3. Size (Unit:mm)



4. VSWR Chart

Antennas have been tested under wireless simulated environment by Network Analyzer

