

# R102 USB Fingerprint Reader



**Hangzhou Grow Technology Co., Ltd**

**Feb.2023**

## Features

- High performance fingerprint reader for precise authentication with PC or network security
- Excellent adaption for dry, wet, harsh fingerprint
- USB interface for high speed communication
- Windows98,Me,NT4.0,2000,XP,Vista support
- Outstanding authentication performance combined with SDK
- Adopts zinc alloy and well protect the fingerprint sensor

## Specification

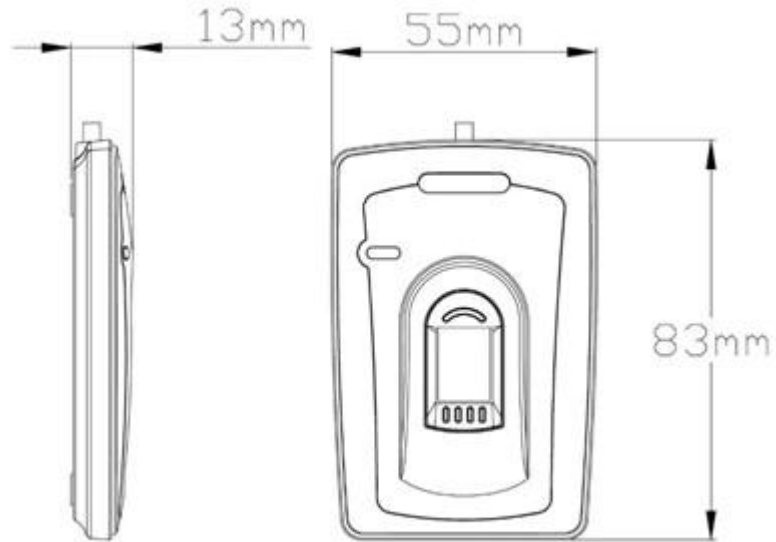
Model	R102 Capacitive USB Fingerprint Reader
Interface	USB 2.0
Dimension (L*W*H)	83*55*13 mm
Scanning Speed	< 0.2 second
Verification Speed	< 0.3 second
Matching Method	1:1; 1:N
Resolution	508 DPI
Fingerprint Capacity	1000
Sensing Array	208*288 pixel
Voltage	5V
Collection Area	12*17.5mm
FRR (False Rejection Ratio):	≤0.01%
FAR (False Acceptance Ratio):	≤0.0001%
Power Consumption	Work 100ma, Peak 150ma
Antistatic capacity	15KV
Abrasive resistance intensity	1 million times
Work environment	-25°C ---55°C
Work Humidity	10-90%

***Material: Zinc alloy pedestal***

***The thickness is only 1.3 cm.***

**For more details, pls check R304S fingerprint module user manual.**

### Dimension Drawing



### Directions For Use

#### System Requirements

- 1.6 GHZ or higher
- 512 MB RAM
- USB 1.1 compliant ports

#### The right way to use fingerprints

